

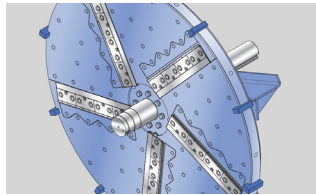
7900EL Disc Chipper

Our largest chipper— pair with our 6800 series Debarker for a complete chipping solution.



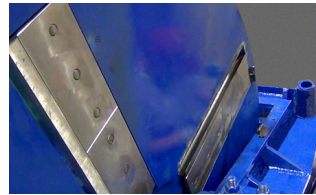
IQAN Operating System

The robust and reliable IQAN operating system is easy to use and is weatherproof for the most extreme environments, providing self-diagnostics and engine and system parameters.



Largest disc chipper that Peterson has built

Powered by a fully enclosed Caterpillar C32 engine rated at 1125 HP (839 kW), the 7900EL easily has the power to chip the largest diameter feedstock.



Two chipper disc and knife systems available

Peterson disc chippers come with four or five pocket, 86" (167 cm) diameter chipper disc with traditional babbitted knife systems, or Key Knife™ systems.



The 7900EL with a top load spout

The extended deck of the 7900EL feeds the large feed throat capable of accepting up to a 30 inch (76 cm) diameter tree, or multiple smaller stems.

The Peterson 7900EL Disc Chipper is designed for high volume operations that require the ability to chip large diameter feedstock or multiple stems.

The largest disc chipper that Peterson has built to date, the 7900EL has the ability to produce chips from 1/4 to 1 1/4 inches (6 to 32 mm). When low bark or ash content is a requirement, the 7900EL can be paired with the Peterson 6830 Debarker. The extended deck of the 7900EL feeds the large feed throat capable of accepting up to a 30 inch (76 cm) diameter trees, or multiple smaller stems.

Powered by a fully enclosed Caterpillar C32 engine rated at 1125 HP (839 kW), the 7900EL easily has the power to chip the largest diameter feedstock. A hydraulic clutch transfers the power to the massive 86 inch diameter, 4 3/4 inch thick, 5-knife chipper disc equipped with replaceable wear liners. The 7900EL is available with either Babbitted or Key Knife™ systems.

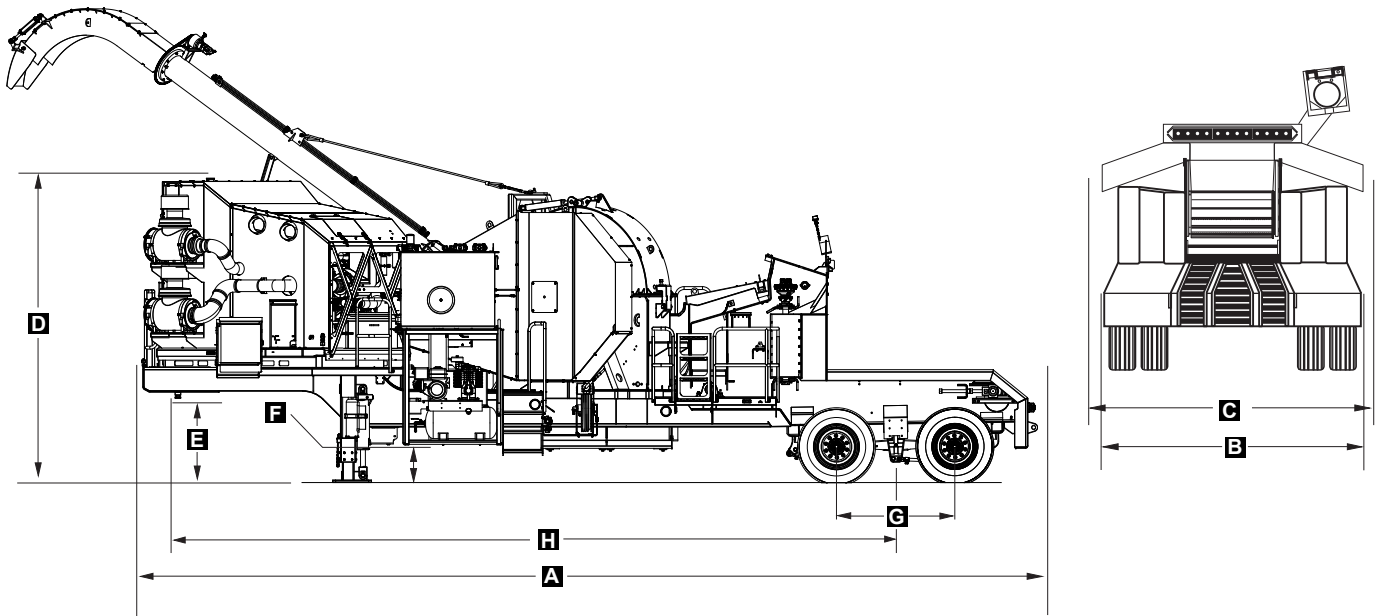
The 7900EL is controlled by an IQAN operating system, which provides the operator with all critical engine and performance parameters, as well as setup information for when chip size changes are made.

Other key features are the four landing gear legs to stabilize the machine while operating, removable sidewalls to guide feedstock into the chipper disc, and a remote controlled rotating spout to top-load chip vans. When paired with a Peterson 6830 Debarker, the 7900EL is the ultimate in-field clean chipping plant.



Peterson
an Astec Industries Co.

7900EL Drawings



7900EL Specifications

Scan with your smartphone
to see a video of the 7900EL



General Dimensions

A. Operation and Travel Length	43' 5" (1323 cm)
B. Operation Width	16' 2" (493 cm)
C. Travel Width	10' 9" (328 cm)
D. Travel Height	13' 5" (409 cm)
E. Fifth Wheel Height	49½" (126 cm)
F. Ground Clearance	10" (25 cm)
G. Axle Spacing	5' (152.4 cm)
H. Wheel Base (2 axle)	30'10" (939.8 cm)

Weights

Total Weight	70,000 lbs (31 751 kg)
Fifth Wheel Weight	34,000 lbs (15 422 kg)
Tandem Axle Weight	38,000 lbs (17 236 kg)

Powertrain

Engine	Caterpillar C32
Horsepower (Tier II or IV)	1125 HP (839 kW)
Fuel Tank Capacity	320 gal (1211 L)
Hydraulic Tank Capacity	100 gal (378 L)
Auto Reversing Fans	
Wet Clutch	

Feed System

Feed Deck	3 strands WD116 drag chain
Feed Opening	30" (76 cm)
Direct Drive Feed Rolls	
Feed Speed Range	up to 210 ft/min (64 m/min)
Chip Size Range	¼ to 1¼" (6 to 32 mm)

Chipper

- Accepts up to 30" (76 cm) Diameter Logs
- Five Pocket Chipper Disc
- Standard Five Knife Configuration
- Side Loading Chip Chute with Hydraulic Fold Cylinder
- Hydraulic Swivel Discharge Spout
- Dirt Separator Removes Contaminants, Overs, Fines and Slivers

Controls

- Peterson Adaptive Control System (IQAN)
- Radio Remote Control
- Optional wireless link with Peterson flail

Optional Equipment

- Four Pocket Chipper Disc
- Babbitt or Key Knife Chipper Knives
- Fire Suppression System
- Auxiliary Air Compressor
- Night Operation lights
- Top Loading Spout
- Feed Deflector Walls
- Two Side Feed Rolls
- Rear Landing Gear
- Cold Weather Kit
- Export Fifth Wheel Pin
- Export Lifting Eyes

Specifications subject to change without notice.

PETERSON an Astec Industries Company

PO Box 40490 • Eugene, OR 97404 • Tel 800.269.6520 Fax 541.689.0804 • www.petersoncorp.com

