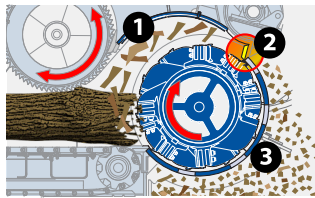


5710D Horizontal Grinder



Optional tow dolly available!



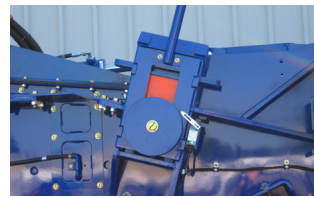
3-Stage Grinding Process Provides Faster Reduction

Peterson's powerful up-turn 3-stage grinding process provides better fracturing of material and a more consistent product, giving you just the product your buyers are looking for.



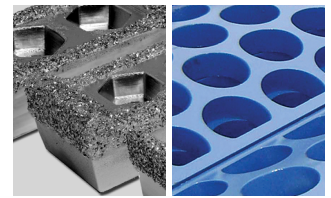
The Impact Release System Protects Your Investment

Peterson's patented Impact Release System's air bags provides uniform grinding and protection from contaminated feedstock, a feature unique to Peterson grinders.



The Second Line of Defense: The Impact Cushion System

Urethane cushions and shear pins help protect the mill from catastrophic damage in the event of a severe impact from contaminants in the feed stock.



Use Peterson Bits and Grates for The Best Quality Product

Peterson offers a wide variety of durable, long-lasting bits and grates to enable you to produce exactly the products your customers demand.

The 5710D is a tracked horizontal grinder designed for high-volume producers with very demanding end-product specifications.

Powered by a Tier II or Tier IVi Caterpillar C27 1050HP (772 kW) engine, the 5710D provides the highest power to weight ratio of any Peterson grinder.

At 88,500 pounds (40,150 kg), the 5710D is designed for operations requiring high production and frequent moves between jobs. With a feed opening of 60 x 40 inches (152 x 102 cm) combined with Peterson's

high lift feed roll, 5710D can readily reduce a wide range of material including stumps.

The 5710D control panel features a large display that provides the operator with the information needed to efficiently operate the unit. System pressure transducers and remote monitoring capability simplify set up and provide complete engine and system parameters.

The 5710D can be operated by wireless remote from the comfort of your loader.

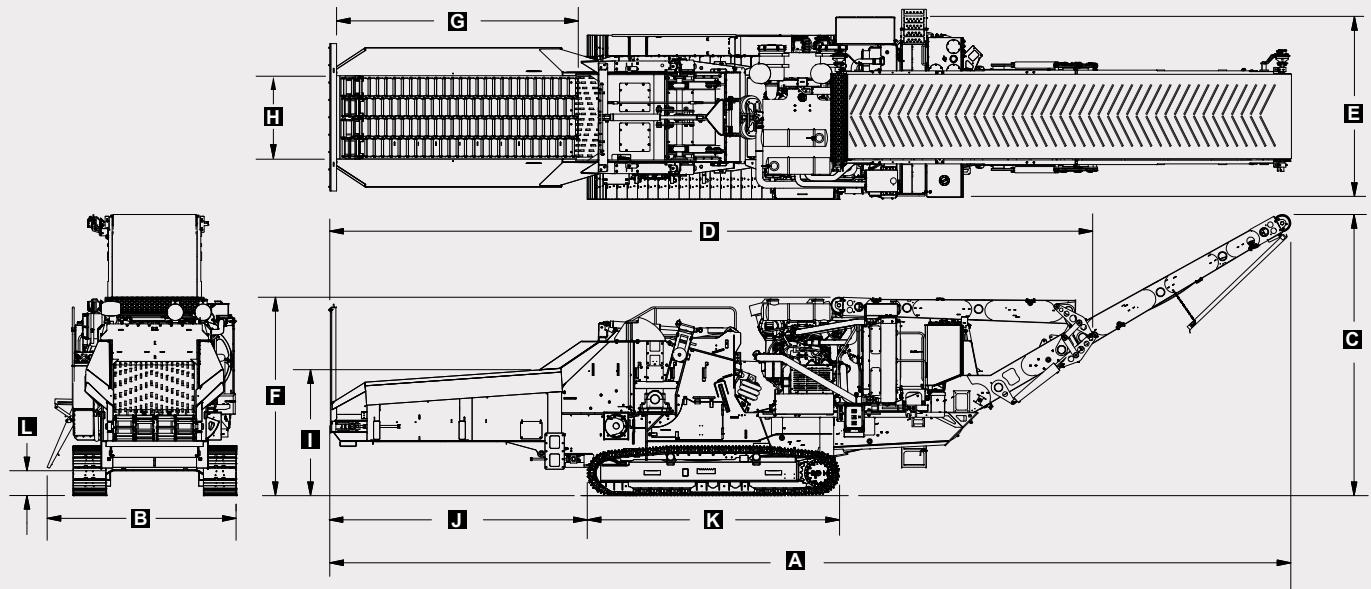
The optional tow dolly makes highway transportation between jobs easy.

The quick-change multiple grate system makes it easy to customize grate configurations to produce a wide variety of finished materials. Grates are removed through an access door on the side wall.



Peterson
an Astec Industries Co.

5710D Dimensions



5710D Specifications

Dimensions

A Operating Length	57' 10" (18 m)
B Operating Width	11' 5" (348 cm)
C Operating Height	16' 10" (513 cm)
D Travel Length	45' 11" (1400 cm)
E Travel Width	9' 11" (300 cm)
F Travel Height	12' 2" (371 cm)
G Hopper Length	14' 7" (445 cm)
H Feed Conveyor Width	5' (152 cm)
I Hopper Height	7' 6" (228 cm)
J Front to Track Length	15' 6" (472 cm)
K Track Length	15' 3" (463 cm)
L Ground Clearance	18" (457 cm)

Weights

Machine Weight*	95,000 lbs (43,091 kg)
with Dolly	99,000 lbs (44,906 kg)

*Varies based on optional equipment and machine configuration.

Powertrain

Engine	Caterpillar C27 or C32 Tier II or Tier IVi
Horsepower	1050 hp (772 kW) (standard)
Clutch	PT Tech HPT015FX
Fuel Tank Capacity	340 gallons (1287 L)
Main Hydraulic Tank Capacity	98 gallons (371 L)

Tracks

Track Type and Width	triple grouser, 23.5" (60 cm)
Travel Speed	1.2/2.3 mph (1.9/3.7 kph)
Ground Pressure	12.5 lbs/in ² (.88 kg/cm ²)
Ground Clearance	18" (457 mm)

System Controls

- Peterson Adaptive Control System
- Radio Remote

Feed System

Hopper Capacity	7.0 yd ³ (5.39 m ³)
Hopper Width	60" (152 cm)
Hopper Length	14' 3" (433 cm)
Feed Chain	4 sections, full hopper width
Feed Opening (width x height)	60" x 40" (152 x 102 cm)
Land Clearing Mode (width x height)	60" x 55" (152 x 140 cm)
Compression Roll Diameter (tip to tip)	36" (91.4 cm)

Rotor

Rotor Shaft Size	7.4" (187 cm)
Rotor Speed	840 rpm @ 2100 engine rpm
Rotor Width	64" (161 cm)
Rotor Diameter	40" (102 cm)
Bit Size (width x height)	3" x 6.5" (7.6 cm X 16.5 cm)
Number of Bits	20 drum rotor, 18 pinned rotor

Grates

Number of Grate Sections	4
Total Grate Area	4060 in ² (26 193 cm ²)
Grate Coverage	182°
Grate Thickness	1.25" (32 mm)

Discharge System

Discharge Conveyor Width	60" (152 cm)
Conveyor Speed	500, 600, or 700 ft/min (152, 183, or 213 m/min)

Production – C27 1050 hp

Greenwaste	501 yd ³ / 138 US tons (383 m ³ / 125 metric tons) per hour
Scrap Board	591 yd ³ / 90 US tons (452 m ³ / 82 metric tons) per hour

*Actual output may vary due to moisture content, material density and size, support equipment, and grate size. Production rates are based on grinding 50 minutes per hour.

Optional Equipment

- Magnetic Pulley, Feed Chain Return Pan, Magnetic Cross Belt Conveyor, Long Discharge Conveyor, Tow Dolly with Outriggers, 5th Wheel

Measurements are rounded to the nearest whole increment. Specifications subject to change without notice.

PETERSON an Astec Industries Company

PO Box 40490 • Eugene, OR 97404 • Tel 800.269.6520 Fax 541.689.0804 • www.petersoncorp.com

