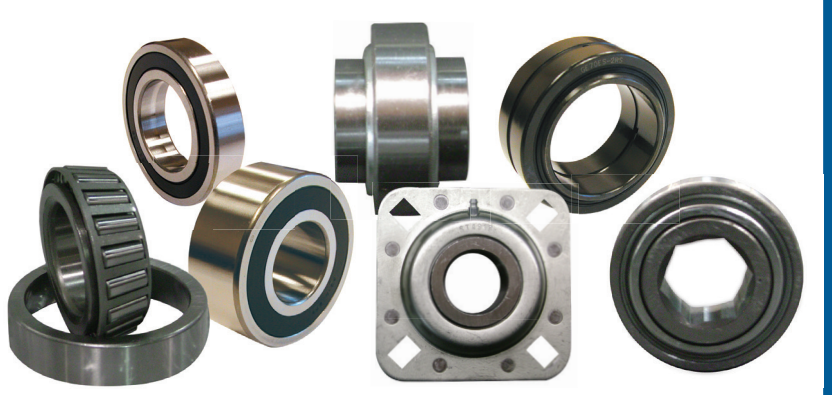


NATIONAL

BEARINGS+POWER TRANSMISSION PRODUCTS



BEARINGS | ntl-bpt.com

1-877-469-2529

TABLE OF CONTENTS

BEARINGS - COMMONLY USED SUFFIXES	3
BEARINGS	4
BALL BEARINGS	
R Series	5
1600 Series	6
600 SERIES	7
16000, 6800, 6900, 6000, 6200, 6300 SERIES	8
SS6000, SS6200 SERIES - STAINLESS STEEL	11
CS200, CS300 SERIES - SPHERICAL O.D.	12
3200 SERIES - DOUBLE ROW ANGULAR CONTACT	13
3300 SERIES - DOUBLE ROW ANGULAR CONTACT	14
BALL BEARINGS INSERTS	
SER200 SERIES	15
UC200 SERIES	16
SB200 - CSB200 SERIES	17
HC200 SERIES	18
SA200 - SAA200 SERIES	19
SPHERICAL PLAIN BEARINGS	
SBB SERIES - IMPERIAL	20
GE SERIES - METRIC	21
TAPERED ROLLER BEARINGS	
IMPERIAL SERIES	22
METRIC SERIES	24
AGRICULTURAL BEARINGS	25
AGRICULTURAL BEARINGS	
TRI-PLY SEAL SQUARE FLANGE UNITS	26
ROUND BORE NON-RELUBRICATABLE	27
ROUND BORE RELUBRICATABLE	28
SQUARE BORE NON-RELUBRICATABLE	29
SQUARE BORE RELUBRICATABLE	30
HEX BORE SERIES AGRICULTURAL BEARINGS	31
200 SERIES	32
SPECIAL SIZES	33
NATIONAL AGRICULTURAL BEARING INTERCHANGE	34
NATIONAL PRODUCTS LIMITED WARRANTY	37

BEARINGS - COMMONLY USED SUFFIXES

SEALS, SHIELDS AND SNAP RING

SUFFIX	BEARING	EXAMPLE
RS, LU, DU, RSR	Bearing with one rubber seal	6205 RS
2RS, 2RSH, LLU, DDU, 2RSR	Bearing with two rubber seals	6205 2RS
Z, ZR	Bearing with one metal shield	6205 ZR
2Z, 2ZR, ZZ	Bearing with two metal shields	6205 2Z
NR	Bearing with snap ring groove & snap ring	6205 NR
2RSNR, LLUNR, DDUNR	Bearing with two rubber seals & snap ring groove with snap ring	6205 2RSNR
2ZNR, ZZNR, 2ZNRN	Bearing with two metal shields & snap ring groove with snap ring	6205 2ZNR

CLEARANCE/TOLERANCES

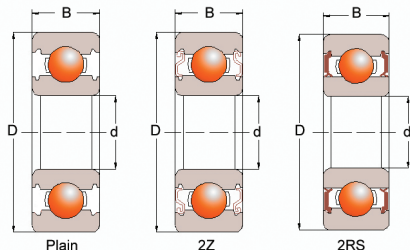
SUFFIX	BEARING	EXAMPLE
C1	Bearing with internal clearance smaller than C2	6205 C1
C2	Bearing with internal clearance smaller than normal	6205 C2
C0, Omit	Bearing with normal internal clearance	6205
C3	Bearing with internal clearance greater than normal	6205 C3
C4	Bearing with internal clearance greater than C3	6205 C4
P5	Bearing with tolerance to ISO class 5 or ABEC 5	6205 P5

BEARINGS



BALL BEARINGS

R SERIES

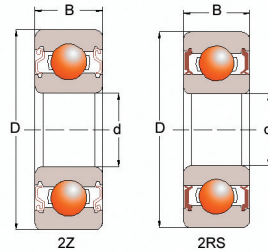


Bearing No.	d Bore		D O.D.		B Width		Basic Load Ratings (N)	
	mm	Inch	mm	Inch	mm	Inch	Dynamic	Static
R2 2Z	3.175	1/8	9.525	3/8	3.9200	0.1543	631	219
R166 2Z	4.763	3/16	12.700	3/8	0.1252	3.1800	709	272
R3	4.763	3/16	12.700	1/2	3.9700	0.1563	1 301	488
R3 2RS	4.763	3/16	12.700	1/2	4.9780	0.1960	1 301	488
R3 2Z	4.763	3/16	12.700	1/2	4.9780	0.1960	1 301	488
R4	6.350	1/4	15.875	5/8	4.9780	0.1960	1 480	621
R4 2RS	6.350	1/4	15.875	5/8	4.9780	0.1960	1 480	621
R4 2Z	6.350	1/4	15.875	5/8	4.9780	0.1960	1 480	621
R4A 2RS	6.350	1/4	19.050	3/4	7.1400	0.2811	2 336	896
R4A 2Z	6.350	1/4	19.050	3/4	7.1400	0.2811	2 336	896
R188 2Z	6.350	1/4	12.700	1/2	4.7600	0.1874	1 082	442
R6	9.525	3/8	22.225	7/8	5.5600	0.2188	3 332	1 422
R6 2RS	9.525	3/8	22.225	7/8	7.1400	0.2811	3 332	1 422
R6 2Z	9.525	3/8	22.225	7/8	7.1400	0.2811	3 332	1 422
R8	12.700	1/2	28.575	1-1/8	6.3500	0.2500	5 108	2 415
R8 2RS	12.700	1/2	28.575	1-1/8	7.9400	0.3126	5 108	2 415
R8 2Z	12.700	1/2	28.575	1-1/8	7.9400	0.3126	5 108	2 415
R10	15.875	5/8	34.925	1-3/8	7.1420	0.2812	5 988	3 287
R10 2RS	15.875	5/8	34.925	1-3/8	8.7300	0.3438	5 988	3 287
R10 2Z	15.875	5/8	34.925	1-3/8	8.7300	0.3438	5 988	3 287
R12	19.500	3/4	41.275	1-5/8	7.9400	0.3126	7 250	4 450
R12 2RS	19.500	3/4	41.275	1-5/8	11.1100	0.4375	7 250	4 450
R12 2Z	19.500	3/4	41.275	1-5/8	11.1100	0.4375	7 250	4 450
R14	22.225	7/8	47.625	1-7/8	9.5250	0.3750	7 750	4 950
R14 2RS	22.225	7/8	47.625	1-7/8	12.7000	0.5000	7 750	4 950
R14 2Z	22.225	7/8	47.625	1-7/8	12.7000	0.5000	7 750	4 950
R16	25.400	1	50.800	2	9.5250	0.3750	8 250	5 450
R16 2RS	25.400	1	50.800	2	12.7000	0.5000	8 250	5 450
R16 2Z	25.400	1	50.800	2	12.7000	0.5000	8 250	5 450
R18	28.575	1-1/8	53.975	2-1/8	9.5250	0.3750	9 600	6 260
R18 2RS	28.575	1-1/8	53.975	2-1/8	12.7000	0.5000	9 600	6 260
R18 2Z	28.575	1-1/8	53.975	2-1/8	12.7000	0.5000	9 600	6 260
R20	31.750	1-1/4	57.150	2-1/4	9.5250	0.3750	10 800	7 520
R20 2RS	31.750	1-1/4	57.150	2-1/4	12.7000	0.5000	10 800	7 520
R20 2Z	31.750	1-1/4	57.150	2-1/4	12.7000	0.5000	10 800	7 520
R22 2RS	34.925	1-3/8	63.500	2-1/2	14.2875	0.5625	12 280	8 500
R22 2Z	34.925	1-3/8	63.500	2-1/2	14.2875	0.5625	12 280	8 500
R24	38.100	1-1/2	66.675	2-5/8	11.1100	0.4374	16 800	11 400
R24 2RS	38.100	1-1/2	66.675	2-5/8	14.2875	0.5625	16 800	11 400
R24 2Z	38.100	1-1/2	66.675	2-5/8	14.2875	0.5625	16 800	11 400

Note actual products may differ from photos shown in this brochure. Product availability and specifications are subject to change without notice.

BALL BEARINGS

1600 SERIES

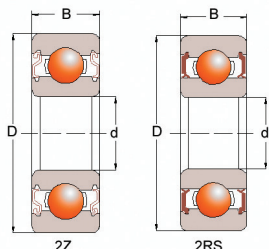


Bearing No.	d Bore		D O.D.		B Width		Basic Load Ratings (N)	
	mm	Inch	mm	Inch	mm	Inch	Dynamic	Static
1601 2RS	4.762	3/16	17.462	11/16	7.938	5/16	1 510	720
1601 2Z	4.762	3/16	17.462	11/16	6.350	1/4	1 510	720
1602 2RS	6.350	1/4	17.462	11/16	7.938	5/16	1 510	720
1602 2Z	6.350	1/4	17.462	11/16	6.350	1/4	1 510	720
1603 2RS	7.938	5/16	22.225	7/8	8.737	11/32	2 540	1 340
1603 2Z	7.938	5/16	22.225	7/8	7.144	9/32	2 540	1 340
1604 2RS	9.525	3/8	22.225	7/8	8.737	11/32	2 540	1 340
1604 2Z	9.525	3/8	22.225	7/8	7.144	9/32	2 540	1 340
1605 2RS	7.938	5/16	23.019	29/32	7.938	5/16	2 540	1 340
1606 2RS	9.525	3/8	23.019	29/32	7.938	5/16	2 540	1 340
1606 2Z	9.525	3/8	23.019	29/32	7.938	5/16	2 540	1 340
1607 2RS	11.112	7/16	23.019	29/32	7.938	5/16	3 550	1 930
1607 2Z	11.112	7/16	23.019	29/32	7.938	5/16	3 550	1 930
1614 2RS	9.525	3/8	28.575	1-1/8	9.525	3/8	3 920	2 240
1614 2Z	9.525	3/8	28.575	1-1/8	9.525	3/8	3 920	2 240
1615 2RS	11.112	7/16	28.575	1-1/8	9.525	3/8	3 920	2 240
1616 2RS	12.700	1/2	28.575	1-1/8	9.525	3/8	3 920	2 240
1616 2Z	12.700	1/2	28.575	1-1/8	9.525	3/8	3 920	2 240
1620 2RS	11.112	7/16	34.925	1-3/8	11.112	7/16	5 880	3 470
1621 2RS	12.700	1/2	34.925	1-3/8	11.112	7/16	5 880	3 470
1621 2Z	12.700	1/2	34.925	1-3/8	11.112	7/16	5 880	3 470
1622 2RS	14.288	9/16	34.925	1-3/8	11.112	7/16	5 880	3 470
1623 2RS	15.875	5/8	34.925	1-3/8	11.112	7/16	5 880	3 470
1623 2Z	15.875	5/8	34.925	1-3/8	11.112	7/16	5 880	3 470
1628 2RS	15.875	5/8	41.275	1-5/8	12.700	1/2	7 230	4 440
1628 2Z	15.875	5/8	41.275	1-5/8	12.700	1/2	7 230	4 440
1630 2RS	19.050	3/4	41.275	1-5/8	12.700	1/2	7 230	4 440
1630 2Z	19.050	3/4	41.275	1-5/8	12.700	1/2	7 230	4 440
1633 2RS	15.875	5/8	44.450	1-3/4	12.700	1/2	7 230	4 440
1633 2Z	15.875	5/8	44.450	1-3/4	12.700	1/2	7 230	4 440
1635 2RS	19.050	3/4	44.450	1-3/4	12.700	1/2	7 230	4 440
1635 2Z	19.050	3/4	44.450	1-3/4	12.700	1/2	7 230	4 440
1638 2RS	19.050	3/4	50.800	2	14.288	9/16	10 780	6 940
1638 2Z	19.050	3/4	50.800	2	14.288	9/16	10 780	6 940
1640 2RS	22.225	7/8	50.800	2	14.288	9/16	10 780	6 940
1641 2RS	25.400	1	50.800	2	14.288	9/16	10 780	6 940
1641 2Z	25.400	1	50.800	2	14.288	9/16	10 780	6 940
1652 2RS	28.575	1-1/8	63.500	2-1/2	15.875	5/8	12 280	8 500
1654 2RS	31.750	1-1/4	63.500	2-1/2	15.875	5/8	12 280	8 500
1654 2Z	31.750	1-1/4	63.500	2-1/2	15.875	5/8	12 280	8 500

Note actual products may differ from photos shown in this brochure. Product availability and specifications are subject to change without notice.

BALL BEARINGS

600 SERIES

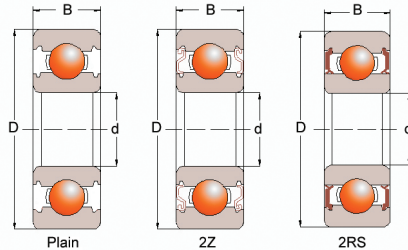


Bearing No.	d Bore	D O.D.	B Width	Basic Load Ratings (N)		Limiting Speeds (RPM)	
	mm	mm	mm	Dynamic	Static	Grease	Oil
623 2RS	3	10	4	640	220	50 000	60 000
623 2Z	3	10	4	640	220	50 000	60 000
684 2Z	4	9	4	641	227	53 000	63 000
624 2RS	4	13	5	1 290	490	40 000	48 000
624 2Z	4	13	5	1 290	490	40 000	48 000
634 2Z	4	16	5	1 340	523	36 000	43 000
685 2RS	5	11	4	716	282	45 000	53 000
685 2Z	5	11	4	716	282	45 000	53 000
695 2RS	5	13	4	1 077	432	43 000	50 000
695 2Z	5	13	4	1 077	432	43 000	50 000
625 2RS	5	16	5	1 729	675	36 000	43 000
625 2Z	5	16	5	1 729	675	36 000	43 000
635 2Z	5	19	6	2 336	896	32 000	40 000
686 2Z	6	13	5	1 082	442	40 000	50 000
696 2Z	6	15	5	1 340	523	40 000	45 000
606 2Z	6	17	6	2 263	846	38 000	45 000
626 2RS	6	19	6	2 336	896	32 000	40 000
626 2Z	6	19	6	2 336	896	32 000	40 000
697 2RS	7	17	5	1 605	719	36 000	43 000
697 2Z	7	17	5	1 605	719	36 000	43 000
607 2RS	7	19	6	2 336	896	36 000	43 000
607 2Z	7	19	6	2 336	896	36 000	43 000
627 2RS	7	22	7	3 287	1 379	30 000	36 000
627 2Z	7	22	7	3 287	1 379	30 000	36 000
688 2RS	8	16	5	1 252	592	36 000	43 000
688 2Z	8	16	5	1 252	592	36 000	43 000
698 2Z	8	19	6	2 237	917	36 000	43 000
608 2RS	8	22	7	3 293	1 379	34 000	40 000
608 2Z	8	22	7	3 293	1 379	34 000	40 000
628 2RS	8	24	8	3 333	1 423	28 000	34 000
628 2Z	8	24	8	3 333	1 423	28 000	34 000
689 2Z	9	4	5	1 315	544	36 000	43 000
609 2RS	9	24	7	3 356	1 444	32 000	38 000
629 2RS	9	26	9	4 575	1 983	28 000	34 000
629 2Z	9	26	9	4 575	1 983	28 000	34 000

Note actual products may differ from photos shown in this brochure. Product availability and specifications are subject to change without notice.

BALL BEARINGS

16000, 6800, 6900, 6000, 6200, 6300 SERIES

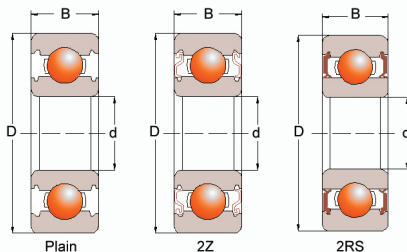


Bearing No.	d	D	B	Basic Load Ratings (N)		Limiting Speeds (RPM)	
	mm	mm	mm	Dynamic	Static	Grease (2Z, 2RS)	Oil (Open)
6800 2RS	10	19	5	1 830	925	32 000	38 000
6800 2Z	10	19	5	1 830	925	32 000	38 000
6900 2RS	10	22	6	2 700	1 270	30 000	36 000
6900 2Z	10	22	6	2 700	1 270	30 000	36 000
6000 2RS	10	26	8	4 550	1 960	30 000	36 000
6000 2Z	10	26	8	4 550	1 960	30 000	36 000
6200 2RS	10	30	9	5 100	2 390	24 000	30 000
6200 2Z	10	30	9	5 100	2 390	24 000	30 000
6300 2RS	10	35	11	5 880	3 500	23 000	27 000
6300 2Z	10	35	11	5 880	3 500	23 000	27 000
6801 2RS	12	21	5	1 920	1 040	29 000	35 000
6801 2Z	12	21	5	1 920	1 040	29 000	35 000
6901 2RS	12	24	6	2 891	1 468	27 000	32 000
6901 2Z	12	24	6	2 891	1 468	27 000	32 000
6001 2RS	12	28	8	5 110	2 390	28 000	32 000
6001 2Z	12	28	8	5 110	2 390	28 000	32 000
6201 2RS	12	32	10	6 180	3 060	22 000	28 000
6201 2Z	12	32	10	6 180	3 060	22 000	28 000
6301 2RS	12	37	12	9 700	4 650	20 000	24 000
6301 2Z	12	37	12	9 700	4 650	20 000	24 000
6201 1/2 2RS	12.7	32	10	6 180	3 060	22 000	28 000
6202 1/2 2RS	12.7	35	11	7 500	3 700	20 000	24 000
6203 1/2 2RS	12.7	40	12	9 600	4 780	18 000	21 000
6201 13 2RS	13	32	10	6 180	3 060	22 000	28 000
6802 2RS	15	24	5	2 080	1 254	26 000	31 000
6802 2Z	15	24	5	2 080	1 254	26 000	31 000
6902 2RS	15	28	7	4 315	4 350	24 000	28 000
6002 2RS	15	32	9	5 600	2 840	24 000	28 000
6002 2Z	15	32	9	5 600	2 840	24 000	28 000
6202 2RS	15	35	11	7 500	3 700	20 000	24 000
6202 2Z	15	35	11	7 500	3 700	20 000	24 000
6302 2RS	15	42	13	11 400	5 450	17 000	21 000
6302 2Z	15	42	13	11 400	5 450	17 000	21 000
6202 5/8 2RS	15.875	35	11	7 500	3 700	20 000	24 000
6203 5/8 2RS	15.875	40	12	9 600	4 780	18 000	21 000
6202 16 2RS	16	35	11	7 500	3 700	20 000	24 000
6203 16 2RS	16	40	12	9 600	4 780	18 000	21 000
6803 2RS	17	26	5	2 630	1 570	24 000	28 000
6903 2RS	17	30	7	4 671	2 579	22 000	26 000
6903 2Z	17	30	7	4 671	2 579	22 000	26 000
6003 2RS	17	35	10	6 800	3 350	22 000	26 000
6003 2Z	17	35	10	6 800	3 350	22 000	26 000
6203 2RS	17	40	12	9 600	4 780	18 000	21 000
6203 2Z	17	40	12	9 600	4 780	18 000	21 000
6303 2RS	17	47	14	13 500	6 580	16 000	19 000
6303 2Z	17	47	14	13 500	6 580	16 000	19 000

Note actual products may differ from photos shown in this brochure. Product availability and specifications are subject to change without notice.

BALL BEARINGS

16000, 6800, 6900, 6000, 6200, 6300 SERIES (COND'T)

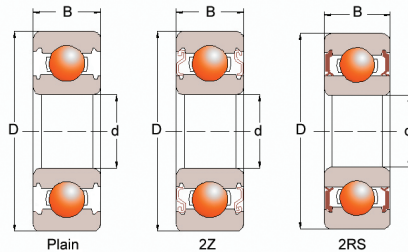


Bearing No.	d	D	B	Basic Load Ratings (N)		Limiting Speeds (RPM)	
	mm	mm	mm	Dynamic	Static	Grease (2Z, 2RS)	Oil (Open)
6203 3/4 2RS	19.05	40	12	9 600	4 780	18 000	21 000
6204 3/4 2RS	19.05	47	14	12 840	6 650	16 000	18 000
6804 2RS	20	32	7	4 000	2 464	21 000	25 000
6804 2Z	20	32	7	4 000	2 464	21 000	25 000
6904 2RS	20	37	9	6 400	3 700	19 000	23 000
6904 2Z	20	37	9	6 400	3 700	19 000	23 000
6004 2RS	20	42	12	9 400	5 050	18 000	20 000
6004 2Z	20	42	12	9 400	5 050	18 000	20 000
6204 2RS	20	47	14	12 840	6 650	16 000	18 000
6204 2RSNR	20	47	14	12 840	6 650	16 000	18 000
6204 2Z	20	47	14	12 840	6 650	16 000	18 000
6304 2RS	20	52	15	15 900	7 900	14 000	17 000
6304 2Z	20	52	15	15 900	7 900	14 000	17 000
60/22 2RS	22	44	12	9 400	5 050	17 000	20 000
62/22 2RS	22	50	14	12 900	6 800	14 000	17 000
63/22 2RS	22	56	16	18 400	9 250	13 000	15 000
6805 2RS	25	37	7	4 500	3 150	18 000	21 000
6805 2Z	25	37	7	4 500	3 150	18 000	21 000
6905 2RS	25	42	9	7 050	4 550	16 000	19 000
6005 2RS	25	47	12	10 400	5 850	15 000	18 000
6005 2Z	25	47	12	10 400	5 850	15 000	18 000
6205 2RS	25	52	15	14 020	7 880	13 000	15 000
6205 2Z	25	52	15	14 020	7 880	13 000	15 000
6305 2RS	25	62	17	21 200	11 390	12 000	13 000
6305 2Z	25	62	17	21 200	11 390	12 000	13 000
63305 2RS	25	62	25.4	21 200	10 900	8 100	13 000
6205 1 2RS	25.4	52	15	14 020	7 880	13 000	15 000
60/28 2RS	28	52	12	12 500	7 400	14 000	16 000
62/28 2RS	28	58	16	17 900	9 750	12 000	14 000
63/28 2RS	28	68	18	26 700	14 000	11 000	13 000
6806 2RS	30	42	7	4 700	3 650	15 000	18 000
6906 2RS	30	47	9	7 250	5 026	14 000	17 000
6006 2RS	30	55	13	13 200	8 300	13 000	15 000
6006 2Z	30	55	13	13 200	8 300	13 000	15 000
6206 2RS	30	62	16	19 500	11 300	11 000	13 000
6206 2Z	30	62	16	19 500	11 300	11 000	13 000
6306 2RS	30	72	19	26 700	15 000	10 000	12 000
6306 2Z	30	72	19	26 700	15 000	10 000	12 000
60/32 2RS	32	58	13	15 100	9 150	12 000	14 000
62/32 2RS	32	65	17	20 700	11 600	11 000	12 000
63/32 2RS	32	75	20	29 800	16 900	9 500	11 000
6807 2RS	35	47	7	4 900	4 100	13 000	16 000
6907 2RS	35	55	10	11 165	7 429	12 000	15 000
6007 2RS	35	62	14	16 000	10 300	11 000	13 000
6007 2Z	35	62	14	16 000	10 300	11 000	13 000
6207	35	72	17	25 700	15 300	9 800	11 000

Note actual products may differ from photos shown in this brochure. Product availability and specifications are subject to change without notice.

BALL BEARINGS

16000, 6800, 6900, 6000, 6200, 6300 SERIES (COND'T)

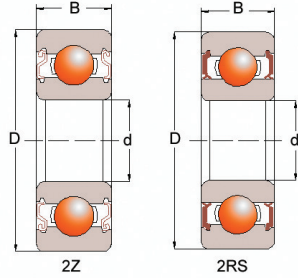


Bearing No.	d	D	B	Basic Load Ratings (N)		Limiting Speeds (RPM)	
	mm	mm	mm	Dynamic	Static	Grease (2Z, 2RS)	Oil (Open)
6207 2RS	35	72	17	25 700	15 300	9 800	11 000
6207 2Z	35	72	17	25 700	15 300	9 800	11 000
6307 2RS	35	80	21	33 500	19 100	8 800	10 000
6307 2Z	35	80	21	33 500	19 100	8 800	10 000
6808 2RS	40	52	7	5 100	4 400	12 000	14 000
6908 2RS	40	62	12	14 457	10 231	11 000	13 000
6008 2RS	40	68	15	16 800	11 500	10 000	12 000
6008 2Z	40	68	15	16 800	11 500	10 000	12 000
6208 2RS	40	80	18	29 100	17 800	8 700	10 000
6208 2Z	40	80	18	29 100	17 800	8 700	10 000
6308 2RS	40	90	23	40 500	24 000	7 800	9 200
6308 2Z	40	90	23	40 500	24 000	7 800	9 200
6809 2RS	45	58	7	5 400	5 300	11 000	12 000
6909 2RS	45	68	12	15 125	11 254	9 800	12 000
6009 2RS	45	75	16	21 000	15 100	9 200	11 000
6009 2Z	45	75	16	21 000	15 100	9 200	11 000
6209 2RS	45	85	19	32 500	20 400	7 800	9 200
6209 2Z	45	85	19	32 500	20 400	7 800	9 200
6309 2RS	45	100	25	53 000	32 000	7 000	8 200
6309 2Z	45	100	25	53 000	32 000	7 000	8 200
6010 2RS	50	80	16	21 800	16 600	8 400	9 800
6010 2Z	50	80	16	21 800	16 600	8 400	9 800
6210 2RS	50	90	20	35 000	23 200	7 100	8 300
6310 2RS	50	110	27	62 000	38 500	6 400	7 500
6310 2Z	50	110	27	62 000	38 500	6 400	7 500
6011 2RS	55	90	18	28 300	21 200	7 700	9 000
6211 2RS	55	100	21	43 500	29 200	6 400	7 600
6311 2RS	55	120	29	71 500	45 000	5 800	6 800
6912 2RS	60	85	13	16 500	12 000	7 500	9 000
6012 2RS	60	95	18	29 500	23 200	7 000	8 300
6212 2RS	60	110	22	52 500	36 000	6 000	7 000
6312 2RS	60	130	31	82 000	52 000	5 400	6 300
6013 2RS	65	100	18	30 600	25 200	6 500	7 700
6213 2Z	65	120	23	57 500	40 000	5 500	6 500
6313 2RS	65	140	33	92 500	60 000	4 900	5 800
16014	70	110	13	24 400	22 600	6 100	7 100
6014 2RS	70	110	20	38 000	31 000	6 100	7 100
6214 2RS	70	125	24	62 000	44 000	5 100	6 000
6314 2RS	70	150	35	104 000	68 000	4 600	5 400
6815 2RS	75	95	10	13 200	10 800	6 700	8 000
6015NR	75	115	20	39 500	33 500	5 700	6 700
6015 2RS	75	115	20	39 500	33 500	5 700	6 700
6215 2RS	75	130	25	66 000	48 500	4 800	5 600
6016	80	125	22	47 500	40 000	5 000	6 000
6020	100	150	24	60 000	54 000	4 000	4 800

Note actual products may differ from photos shown in this brochure. Product availability and specifications are subject to change without notice.

BALL BEARINGS

SS6000, SS6200 SERIES - STAINLESS STEEL

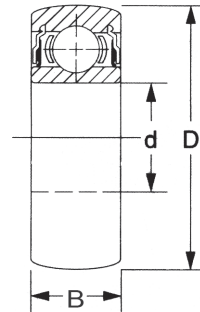
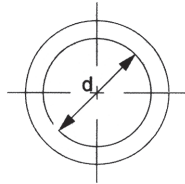


Bearing No.	d	D	B	Basic Load Ratings (N)		Limiting Speeds (RPM)	
	mm	mm	mm	Dynamic	Static	Grease (2Z, 2RS)	Oil (Open)
SS608 2RS	8	22	7	3 293	1 379	34 000	40 000
SS608 2Z	8	22	7	3 293	1 379	34 000	40 000
SS6000 2Z	10	26	8	4 550	1 960	30 000	36 000
SS6001 2RS	12	28	8	5 110	2 390	28 000	32 000
SS6201 2RS	12	32	10	6 180	3 060	22 000	28 000
SS6202 2RS	15	35	11	7 500	3 700	20 000	24 000
SS6203 2RS	17	40	12	9 600	4 780	18 000	21 000
SS6204 2RS	20	47	14	12 840	6 650	16 000	18 000
SS6204 2Z	20	47	14	12 840	6 650	16 000	18 000
SS6205 2RS	25	52	15	14 020	7 880	13 000	15 000

Note actual products may differ from photos shown in this brochure. Product availability and specifications are subject to change without notice.

BALL BEARINGS

CS200, CS300 SERIES - SPHERICAL O.D.

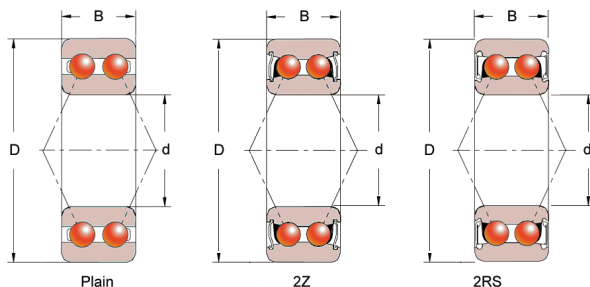


Bearing No.	d Bore	D O.D.	B Width	Basic Load Ratings (N)		Limiting Speeds (RPM)	
	mm	mm	mm	Dynamic	Static	Grease (2Z, 2RS)	Oil (Open)
CS203DDU	17	40	12	9 600	4 780	18 000	21 000
CS204DDU	20	47	14	12 840	6 650	16 000	18 000
CS205DDU	25	52	15	14 020	7 880	13 000	15 000
CS206DDU	30	62	16	19 500	11 300	11 000	13 000
CS207DDU	35	72	17	25 700	15 300	9 800	11 000
CS208DDU	40	80	18	29 100	17 800	8 700	10 000
CS209DDU	45	85	19	32 500	20 400	7 800	9 200
CS210DDU	50	90	20	35 000	23 200	7 100	8 300
CS305DDU	25	62	17	21 200	11 390	12 000	13 000
CS306DDU	30	72	19	26 700	15 000	10 000	12 000
CS307DDU	35	80	21	33 500	19 100	8 800	10 000
CS308DDU	40	90	23	40 500	24 000	7 800	9 200
CS309DDU	45	100	25	53 000	32 000	7 000	8 200
CS310DDU	50	110	27	62 000	38 500	6 400	7 500

Note actual products may differ from photos shown in this brochure. Product availability and specifications are subject to change without notice.

BALL BEARINGS

3200 SERIES - DOUBLE ROW ANGULAR CONTACT



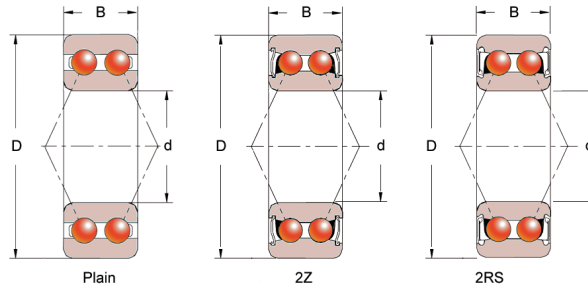
Bearing No.	d Bore	D O.D.	B Width	Basic Load Ratings (N)		Weight (kg)
	mm	mm	mm	Dynamic	Static	
3200 2RSC3	10	30	14	7 410	4 800	0.051
3200 2ZC3	10	30	14	7 410	4 800	0.051
3201 2RSC3	12	32	15.9	10 100	5 600	0.058
3202 2RSC3	15	35	15.9	11 200	6 800	0.066
3202 2ZC3	15	35	15.9	11 200	6 800	0.066
3203 2RSC3	17	40	17.5	14 000	8 650	0.096
3203 2ZC3	17	40	17.5	14 000	8 650	0.096
3204 2RSC3	20	47	20.6	18 600	12 000	0.16
3204 2ZC3	20	47	20.6	18 600	12 000	0.16
3205C3	25	52	20.6	20 300	14 000	0.18
3205 2RSC3	25	52	20.6	20 300	14 000	0.18
3205 2ZC3	25	52	20.6	20 300	14 000	0.18
3206C3	30	62	23.8	28 100	20 000	0.29
3206 2RSC3	30	62	23.8	28 100	20 000	0.29
3206 2ZC3	30	62	23.8	28 100	20 000	0.29
3207C3	35	72	27	37 100	27 500	0.44
3207 2RSC3	35	72	27	37 100	27 500	0.44
3207 2ZC3	35	72	27	37 100	27 500	0.44
3208 2RSC3	40	80	30.2	44 900	33 500	0.58
3208 2ZC3	40	80	30.2	44 900	33 500	0.58
3209 2RSC3	45	85	30.2	47 500	38 000	0.63
3210C3	50	90	30.2	47 500	39 000	0.66
3210 2RSC3	50	90	30.2	47 500	39 000	0.66
3211 2RSC3	55	55	33.3	57 200	67 000	1.05
3212 2RSC3	60	110	36.5	72 100	85 000	1.40
3216 2RSC3	80	140	44.4	101 000	134 000	2.65

Substitute to 5200 Series

Note actual products may differ from photos shown in this brochure. Product availability and specifications are subject to change without notice.

BALL BEARINGS

3300 SERIES - DOUBLE ROW ANGULAR CONTACT



Bearing No.	d Bore	D O.D.	B Width	Basic Load Ratings (N)		Weight (kg)
	mm	mm	mm	Dynamic	Static	
3302C3	15	42	19.0	15 100	8 150	0.13
3302 2RSC3	15	42	19.0	15 100	8 150	0.13
3303 2RSC3	17	47	22.2	21 200	12 500	0.18
3303 2ZC3	17	47	22.2	21 200	12 500	0.18
3304 2RSC3	20	52	22.2	22 100	14 300	0.22
3304 2ZC3	20	52	22.2	22 100	14 300	0.22
3305 2RSC3	25	62	25.4	31 200	20 800	0.35
3305 2ZC3	25	62	25.4	31 200	20 800	0.35
3306C3	30	72	30.2	41 000	28 500	0.53
3306 2RSC3	30	72	30.2	41 000	28 500	0.53
3306 2ZC3	30	72	30.2	41 000	28 500	0.53
3307C3	35	80	34.9	48 800	34 000	0.73
3307 2RSC3	35	80	34.9	48 800	34 000	0.73
3307 2ZC3	35	80	34.9	48 800	34 000	0.73
3308 2RSC3	40	90	36.5	59 200	43 000	0.95
3309 2RSC3	45	100	39.7	72 100	73 500	1.40
3310 2RSC3	50	110	44.4	88 000	96 500	1.95
3311 2RSC3	55	120	49.2	95 200	108 000	2.55

Substitute to 5300 Series

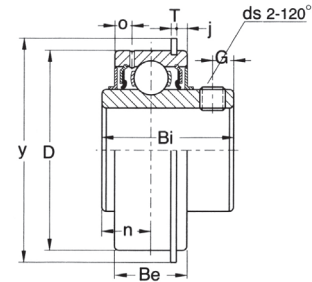
Note actual products may differ from photos shown in this brochure. Product availability and specifications are subject to change without notice.

BALL BEARING INSERTS

SER200 SERIES

WIDE INNER RACE INSERTS

SET SCREW LOCKING
CYLINDRICAL OD WITH SNAP RING
RELUBRICATABLE



Insert No.	Shaft Dia.		Dimensions mm										Basic Load Ratings N		Weight kg
	In.	mm	D	Bi	Be	n	o	T	j	G	ds	y	Dynamic C	Static Co	
SER201-08	1/2		47	31.0	15.9	11.5	4.0	1.35	2.46	5.0	1/4-28UNF M6 x 1.0	52.7	12850	6650	0.25
SER202-10	5/8														
SER204		20													
SER204-12	3/4		52	34.9	19.1	13.1	5.2	1.35	2.46	5.6	1/4-28UNF M6 x 1.0	57.9	14030	7880	0.31
SER205		25													
SER205-14	7/8														
SER205-15	15/16		62	38.1	22.2	15.9	5.6	1.90	3.28	5.6	1/4-28UNF M6 x 1.0	67.7	19480	11320	0.42
SER205-16	1														
SER206		30													
SER206-17	1-1/16		72	42.9	23.8	17.5	5.6	1.90	3.28	6.4	5/16-24UNF M8 x 1.0	78.6	25680	15310	0.62
SER206-18	1-1/8														
SER206-19	1-3/16														
SER206-20	1-1/4S		80	49.2	27.8	19.0	6.4	1.90	3.28	8.0	5/16-24UNF M8 x 1.0	86.6	29540	18150	0.91
SER207		35													
SER207-20	1-1/4														
SER207-21	1-5/16		85	49.2	27.8	19.0	6.4	1.90	3.28	8.0	3/8-24UNF M10 x 1.25	91.6	31700	20690	1.05
SER207-22	1-3/8														
SER207-23	1-7/16														
SER208		40	90	51.6	28.6	19.0	7.5	2.70	3.28	9.5	3/8-24UNF M10 x 1.25	96.6	35100	23190	1.1
SER208-24	1-1/2														
SER208-25	1-9/16														
SER209		45	100	55.6	30.2	22.2	7.5	2.70	3.28	9.5	3/8-24UNF M10 x 1.25	106.6	43400	29240	1.36
SER209-26	1-5/8														
SER209-27	1-11/16														
SER209-28	1-3/4		110	65.1	31.8	25.4	7.5	2.70	3.28	11.1	3/8-24UNF M10 x 1.25	116.6	47790	32950	2.53
SER210		50													
SER210-30	1-7/8														
SER210-31	1-15/16		120	65.1	32	25.4	7.9	2.80	4.00	11.1	3/8-24UNF M10 x 1.25	134.7	57250	40030	2.9
SER210-32	2S														
SER211		55													
SER211-32	2		130	77.8	38.1	33.3	10.0	3.10	4.16	12	3/8-24UNF M10 x 1.25	139.7	66220	49530	3.6
SER211-34	2-1/8														
SER211-35	2-3/16														
SER212		60	130	77.8	38.1	33.3	10.0	3.10	4.16	12	3/8-24UNF M10 x 1.25	139.7	66220	49530	3.6
SER212-36	2-1/4														
SER212-38	2-3/8														
SER212-39	2-7/16		130	77.8	38.1	33.3	10.0	3.10	4.16	12	3/8-24UNF M10 x 1.25	139.7	66220	49530	3.6
SER213		65													
SER213-40	2-1/2														
SER215		75	130	77.8	38.1	33.3	10.0	3.10	4.16	12	3/8-24UNF M10 x 1.25	139.7	66220	49530	3.6
SER215-47	2-15/16														
SER215-48	3														

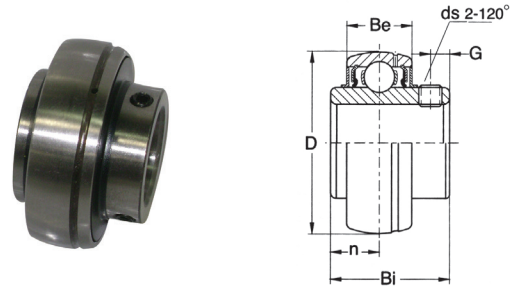
Note actual products may differ from photos shown in this brochure. Product availability and specifications are subject to change without notice.

BALL BEARING INSERTS

UC200 SERIES

WIDE INNER RACE INSERTS

SET SCREW LOCKING
SPHERICAL OD
RELUBRICATABLE



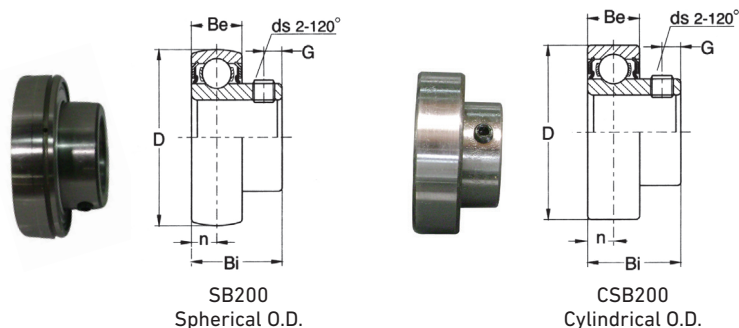
Insert No.	Shaft Dia.		Dimensions mm						Basic Load Ratings N		Weight kg								
	In.	mm	D	Bi	Be	n	G	ds	Dynamic C	Static Co									
UCW201-08	1/2		40	26	15	10	4	10-32UNF M5 x 0.8	9560	4750	0.15								
UCW202-10	5/8										0.14								
UC201		12	47	31	16	12.7	5	1/4-28UNF M6 x 1.0	12850	6650	0.21								
UC201-08	1/2										0.21								
UC202		15									0.2								
UC202-10	5/8										0.19								
UC203		17									0.18								
UC204		20									0.17								
UC204-12	3/4										0.18								
UC205		25									0.2								
UC205-14	7/8		52	34	17	14.3	5.5	1/4-28UNF M6 x 1.0	14030	7880	0.23								
UC205-15	15/16										0.21								
UC205-16	1										0.2								
UC206		30									0.33								
UC206-17	1-1/16		62	38.1	19	15.9	6	1/4-28UNF M6 x 1.0	19480	11320	0.37								
UC206-18	1-1/8										0.35								
UC206-19	1-3/16										0.33								
UC206-20	1-1/4S										0.3								
UC207		35									0.4								
UC207-20	1-1/4										0.55								
UC207-21	1-5/16		72	42.9	20	17.5	6.5	5-16/24UNF M8 x 1.0	25680	15310	0.52								
UC207-22	1-3/8										0.49								
UC207-23	1-7/16										0.46								
UC208		40									0.65								
UC208-24	1-1/2		80	49.2	21	19	8	5-16/24UNF M8 x 1.0	29540	18150	0.69								
UC208-25	1-9/16										0.67								
UC209		45									0.7								
UC209-26	1-5/8		85	49.2	22	19	8	5-16/24UNF M8 x 1.0	31700	20690	0.8								
UC209-27	1-11/16										0.76								
UC209-28	1-3/4										0.71								
UC210		50									0.8								
UC210-30	1-7/8		90	51.6	24	19	9	3/8-24UNF M10 x 1.25	35100	23190	0.87								
UC210-31	1-15/16										0.82								
UC210-32	2S										0.77								
UC211		55									1.08								
UC211-32	2		100	55.6	25	22.2	9	3/8-24UNF M10 x 1.25	43400	29240	1.23								
UC211-34	2-1/8										1.18								
UC211-35	2-3/16										1.06								
UC212		60									1.53								
UC212-36	2-1/4		110	65.1	27	25.4	10.5	3/8-24UNF M10 x 1.25	47790	32950	1.66								
UC212-38	2-3/8										1.51								
UC212-39	2-7/16										1.44								
UC213		65									1.85								
UC213-40	2-1/2		120	65.1	28	25.4	12	3/8-24UNF M10 x 1.25	57250	40030	1.94								
UC214		70									2.1								
UC214-43	2-11/16										125	74.6	30	30.2	12	7/16-20UNF M12 x 1.25	62220	44000	2.2
UC214-44	2-3/4																		2.11
UC215		75	130	77.8	30	33.3	12	7/16-20UNF M12 x 1.25	66220	49530	2.35								
UC215-47	2-15/16										2.39								
UC215-48	3										2.26								

Note actual products may differ from photos shown in this brochure. Product availability and specifications are subject to change without notice.

BALL BEARING INSERTS

SB200 - CSB200 SERIES

NARROW INNER RACE INSERTS SET SCREW LOCKING



Insert No.		Shaft Dia.		Dimensions mm						Basic Load Ratings N		Weight
Spherical OD	Cylindrical OD	In.	mm	D	Bi	Be	n	G	ds	Dynamic C	Static Co	kg
SB201	CSB201		12	40	22	12	6.0	4	1/4-28UNF M6 x 1.0	9600	4400	0.1
SB201-08	CSB201-08	1/2										0.1
SB202	CSB202		15									0.09
SB202-10	CSB202-10	5/8										0.09
SB203	CSB203		17									0.08
SB204	CSB204		20	47	25	14	7.0	5	1/4-28UNF M6 x 1.0	12850	6650	0.13
SB204-12	CSB204-12	3/4										0.13
SB205	CSB205		25	52	27	15	7.5	5.5	1/4-28UNF M6 x 1.0	14030	7880	0.16
SB205-14	CSB205-14	7/8										0.18
SB205-15	CSB205-15	15/16										0.18
SB205-16	CSB205-16	1										0.16
SB206	CSB206		30									62
SB206-17	CSB206-17	1-1/16		0.27								
SB206-18	CSB206-18	1-1/8		0.26								
SB206-19	CSB206-19	1-3/16		0.25								
SB206-20	CSB206-20	1-1/4S		0.24								
SB207	CSB207		35	72	32	17	8.5	6	5/16-24UNF M8 x 1.0	25680	15310	0.38
SB207-20	CSB207-20	1-1/4										0.43
SB207-21	CSB207-21	1-5/16										0.42
SB207-22	CSB207-22	1-3/8										0.38
SB207-23	CSB207-23	1-7/16										0.31
SB208	CSB208		40	80	34	18	9.0	6	5/16-24UNF M8 x 1.0	29540	18150	0.5
SB208-24	CSB208-24	1-1/2										0.52
SB208-25	CSB208-25	1-9/16										0.48

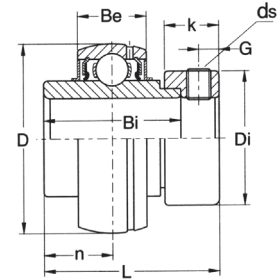
To order relubricatable type add suffix "G": SB205-16G.

Note actual products may differ from photos shown in this brochure. Product availability and specifications are subject to change without notice.

BALL BEARING INSERTS

HC200 SERIES

WIDE INNER RACE INSERTS
 ECCENTRIC LOCKING COLLAR
 SPHERICAL OD
 RELUBRICATABLE



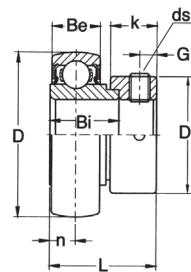
Insert No.	Shaft Dia.		Dimensions mm									Basic Load Ratings N		Weight kg												
	In.	mm	D	L	Bi	Be	n	Di	k	G	ds	Dynamic C	Static Co													
HC201-08	1/2		47	43.5	34	17	17	33.3	13.5	5	1/4-28UNF M6 x 1.0	12850	6650	0.23												
HC202-10	5/8														0.28											
HC204		20														0.24										
HC204-12	3/4															0.21										
HC205		25	52	44.3	34.8	17	17.4	38.1	13.5	5	1/4-28UNF M6 x 1.0	14030	7880	0.27												
HC205-14	7/8														0.26											
HC205-15	15/16														0.25											
HC205-16	1														0.23											
HC206		30	62	48.3	36.4	19	18.2	44.5	15.9	6	5/16-24UNF M8 x 1.0	19480	11320	0.45												
HC206-17	1-1/16														0.43											
HC206-18	1-1/8														0.38											
HC206-19	1-3/16														0.36											
HC206-20	1-1/4S			0.4																						
HC207		35	72	51.1	37.6	20	18.8	55.6	17.5	6.5	5/16-24UNF M8 x 1.0	25680	15310	0.6												
HC207-20	1-1/4														0.66											
HC207-21	1-5/16														0.64											
HC207-22	1-3/8														0.61											
HC207-23	1-7/16			0.58																						
HC208		40	80	56.3	42.8	21	21.4	60.3	18.3	6.5	5/16-24UNF M8 x 1.0	29540	18150	0.79												
HC208-24	1-1/2														0.86											
HC208-25	1-9/16														0.82											
HC209		45													85	56.3	42.8	22	21.4	63.5	18.3	6.5	5/16-24UNF M8 x 1.0	31700	20690	0.85
HC209-26	1-5/8		0.93																							
HC209-27	1-11/16		0.9																							
HC209-28	1-3/4		0.85																							
HC210		50	90	62.7	49.2	24	24.6	69.9	18.3	6.5	5/16-24UNF M8 x 1.0	35100	23190	0.98												
HC210-30	1-7/8														1.07											
HC210-31	1-15/16														1.03											
HC210-32	2S														0.95											
HC211		55	100	71.4	55.4	25	27.7	76.2	20	8	3/8-24UNF M10 x 1.25	43400	29240	1.32												
HC211-32	2														1.49											
HC211-34	2-1/8														1.37											
HC211-35	2-3/16														1.32											
HC212		60	110	77.7	61.8	27	30.9	84	22.3	8	3/8-24UNF M10 x 1.25	47790	32950	1.87												
HC212-36	2-1/4														1.99											
HC212-38	2-3/8														1.84											
HC212-39	2-7/16														1.76											
HC213		65	120	85.7	68.2	28	34.1	86	23.5	8.5	3/8-24UNF M10 x 1.25	57250	40030	2.48												
HC213-40	2-1/2														2.49											
HC214		70													125	85.7	68.2	30	34.1	96.8	23.5	8.5	3/8-24UNF M10 x 1.25	62220	44000	2.47
HC214-43	2-11/16																									
HC214-44	2-3/4		2.35																							
HC215		75	130	92.1	74.6	30	37.3	102	23.5	8.5	3/8-24UNF M10 x 1.25	66220	49530	2.68												
HC215-47	2-15/16														2.67											
HC215-48	3														2.55											

Note actual products may differ from photos shown in this brochure. Product availability and specifications are subject to change without notice.

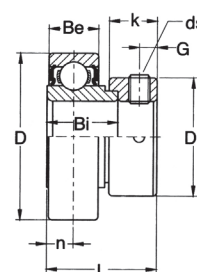
BALL BEARING INSERTS

SA200 - SAA200 SERIES

NARROW INNER RACE INSERTS ECCENTRIC LOCKING COLLAR



SA200
Spherical O.D.



SAA200
Cylindrical O.D.

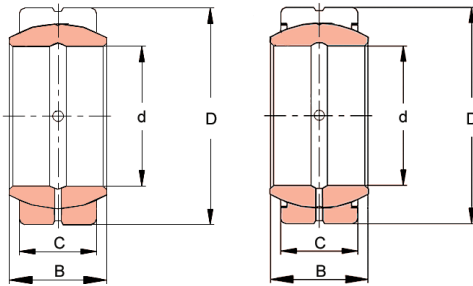
Insert No.		Shaft Dia.		Dimensions mm									Basic Load Ratings N		Weight
Spherical OD	Cylindrical OD	In.	mm	D	L	Bi	Be	n	Di	k	G	ds	Dynamic C	Static Co	kg
SA201	SAA201		12												0.12
SA201-08	SAA201-08	1/2													0.12
SA202	SAA202		15	40	28.6	19	12	6	29	13.5	4.8	1/4-28UNF M6 x 1.0	9600	4400	0.11
SA202-10	SAA202-10	5/8													0.11
SA203	SAA203		17												0.1
SA204	SAA204		20												0.17
SA204-12	SAA204-12	3/4		47	31	21.5	14	7	33.0	13.5	4.8	1/4-28UNF M6 x 1.0	12850	6650	0.16
SA205	SAA205		25												0.2
SA205-14	SAA205-14	7/8		52	31	21.5	15	7.5	38.0	13.5	4.8	1/4-28UNF M6 x 1.0	14030	7880	0.22
SA205-15	SAA205-15	15/16													0.21
SA205-16	SAA205-16	1													0.19
SA206	SAA206		30												0.31
SA206-17	SAA206-17	1-1/16													0.33
SA206-18	SAA206-18	1-1/8		62	35.7	23.8	16	8	44.5	15.9	6.0	1/4-28UNF M6 x 1.0	19480	11320	0.33
SA206-19	SAA206-19	1-3/16													0.3
SA206-20	SAA206-20	1-1/4S													0.28
SA207	SAA207		35												0.49
SA207-20	SAA207-20	1-1/4													0.52
SA207-21	SAA207-21	1-5/16		72	38.9	25.4	17	8.5	55.5	17.5	6.8	5/16-24UNF M8 x 1.0	25680	15310	0.5
SA207-22	SAA207-22	1-3/8													0.47
SA207-23	SAA207-23	1-7/16													0.45
SA208	SAA208		40												0.66
SA208-24	SAA208-24	1-1/2		80	43.7	30.2	18	9	60	18.3	6.8	5/16-24UNF M8 x 1.0	29540	18150	0.64
SA208-25	SAA208-25	1-9/16													0.61
SA209	SAA209		45												0.65
SA209-26	SAA209-26	1-5/8													0.76
SA209-27	SAA209-27	1-11/16		85	43.7	30.2	19	9.5	63.5	18.3	6.8	5/16-24UNF M8 x 1.0	31700	20690	0.73
SA209-28	SAA209-28	1-3/4													0.7
SA210	SAA210		50												0.7
SA210-30	SAA210-30	1-7/8													0.833
SA210-31	SAA210-31	1-15/16		90	43.7	30.2	20	10	69.8	18.3	6.8	3/8-24UNF M10 x 1.25	35100	23190	0.79
SA210-32	SAA210-32	2S													0.74
SA211	SAA211		55												0.77
SA211-32	SAA211-32	2													0.96
SA211-34	SAA211-34	2-1/8		100	48.4	32.5	24	12	76.2	20.6	8	3/8-24UNF M10 x 1.25	43400	29240	0.87
SA211-35	SAA211-35	2-3/16													0.81

To order relubricatable type add suffix "G": SA205-16G.

Note actual products may differ from photos shown in this brochure. Product availability and specifications are subject to change without notice.

SPHERICAL PLAIN BEARINGS

SBB SERIES - IMPERIAL

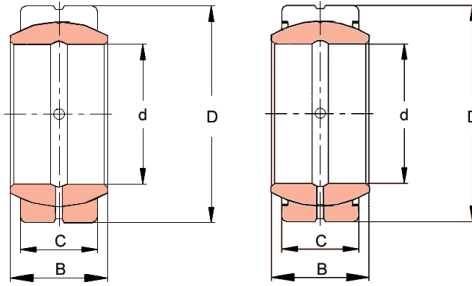


Bearing No.	d	D	B	C	Angle	Basic Load Ratings (kN)	
	Inch	Inch	Inch	Inch	Degree	Dynamic	Static
SBB8	0.500	0.875	0.437	0.375	6	13	41
SBB10	0.625	1.063	0.547	0.469	6	22	65
SBB12	0.750	1.250	0.656	0.562	6	31	95
SBB12 2RS	0.750	1.250	0.656	0.562	6	31	95
SBB14	0.875	1.438	0.765	0.656	6	42	127
SBB14 2RS	0.875	1.438	0.765	0.656	6	42	127
SBB16	1.000	1.625	0.875	0.750	6	56	166
SBB16 2RS	1.000	1.625	0.875	0.750	6	56	166
SBB20	1.250	1.992	1.093	0.937	6	86	260
SBB20 2RS	1.250	1.992	1.093	0.937	6	86	260
SBB22	1.375	2.188	1.187	0.992	6	102	310
SBB22 2RS	1.375	2.188	1.187	0.992	6	102	310
SBB24	1.500	2.438	1.312	1.125	6	125	375
SBB24 2RS	1.500	2.438	1.312	1.125	6	125	375
SBB28	1.750	2.813	1.531	1.312	6	170	510
SBB28 2RS	1.750	2.813	1.531	1.312	6	170	510
SBB32	2.000	3.188	1.750	1.500	6	224	670
SBB32 2RS	2.000	3.188	1.750	1.500	6	224	670
SBB36	2.250	3.563	1.969	1.687	6	280	850
SBB36 2RS	2.250	3.563	1.969	1.687	6	280	850
SBB40	2.500	3.938	2.187	1.875	6	355	1 060
SBB40 2RS	2.500	3.938	2.187	1.875	6	355	1 060
SBB44	2.750	4.375	2.406	2.062	6	415	1 250
SBB44 2RS	2.750	4.375	2.406	2.062	6	415	1 250
SBB48	3.000	4.750	2.633	2.250	6	500	1 500
SBB48 2RS	3.000	4.750	2.633	2.250	6	500	1 500
SBB52	3.250	5.125	2.844	2.437	6	585	1 760
SBB56	3.500	5.500	3.062	2.625	6	680	2 040
SBB56 2RS	3.500	5.500	3.062	2.625	6	680	2 040
SBB60	3.750	5.875	3.281	2.812	6	780	2 360
SBB64	4.000	6.250	3.500	3.000	6	900	2 650
SBB64 2RS	4.000	6.250	3.500	3.000	6	900	2 650
SBB80	5.000	7.750	4.375	3.750	6	1 400	4 150
SBB96 2RS	6.000	8.750	4.750	4.125	5	1 730	5 200

Note actual products may differ from photos shown in this brochure. Product availability and specifications are subject to change without notice.

SPHERICAL PLAIN BEARINGS

GE SERIES - METRIC

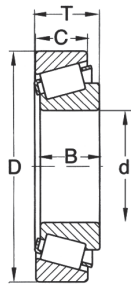


Bearing No.	d	D	B	C	Basic Load Ratings (kN)		Weight (kg)
	mm	mm	mm	mm	Dynamic	Static	
GE12E	12	22	10	7	10.8	54.0	0.016
GE15ES	15	26	12	9	17.0	85.0	0.025
GE17ES 2RS	17	30	14	10	21.2	106	0.041
GE20ES	20	35	16	12	30.0	146	0.061
GE20ES 2RS	20	35	16	12	30.0	146	0.061
GE25ES 2RS	25	42	20	16	48.0	240	0.11
GE30ES	30	47	22	18	62.0	310	0.14
GE30ES 2RS	30	47	22	18	62.0	310	0.14
GE35ES	35	55	25	20	80.0	400	0.22
GE35ES 2RS	35	55	25	20	80.0	400	0.22
GE40ES	40	62	28	22	100	500	0.30
GE40ES 2RS	40	62	28	22	100	500	0.30
GE45ES	45	68	32	25	127	640	0.40
GE45ES 2RS	45	68	32	25	127	640	0.40
GE50ES	50	75	35	28	156	780	0.54
GE50ES 2RS	50	75	35	28	156	780	0.54
GE60ES	60	90	44	36	245	1222	1.00
GE60ES 2RS	60	90	44	36	245	1222	1.00
GE70ES	70	105	49	40	315	1560	1.50
GE70ES 2RS	70	105	49	40	315	1560	1.50
GE80ES	80	120	55	45	400	2000	2.20
GE80ES 2RS	80	120	55	45	400	2000	2.20
GE90ES 2RS	90	130	60	50	490	2450	2.70
GE100ES 2RS	100	150	70	55	610	3050	4.30
GE110ES 2RS	110	160	70	55	655	3250	4.70
GE140ES 2RS	140	210	90	70	1080	5400	11.0

Note actual products may differ from photos shown in this brochure. Product availability and specifications are subject to change without notice.

TAPERED ROLLER BEARINGS

IMPERIAL SERIES

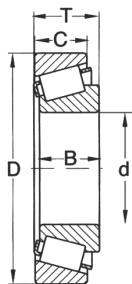


Bearing No.		Boundary Dimensions (Inch)					Basic Load Ratings (lbf)	
Cone	Cup	d	D	T	B	C	Dynamic	Static
387A	382A	2.2500	3.8125	0.8268	0.8640	0.6250	18 900	4 910
387AS	382A	2.2500	3.8125	0.8268	0.8640	0.6250	18 900	4 910
535	532A	1.7500	4.3750	1.5000	1.4550	1.1875	35 800	9 290
575	572	3.0000	5.5115	1.4375	1.4212	1.1250	43 000	11 200
580	572	3.2500	5.5115	1.4375	1.4212	1.1250	43 000	11 200
594A	592A	3.7500	6.0000	1.5625	1.4300	1.1875	45 000	11 700
643	632	2.7500	5.3750	1.6250	1.6250	1.2500	48 500	12 600
2788	2720	1.5000	3.0000	0.9360	1.0100	0.7500	18 100	4 690
2788	2735X	1.5000	2.8750	0.9375	1.0100	0.7500	18 100	4 690
3780	3720	2.0000	3.6718	1.1875	1.1930	0.9375	25 400	6 590
3980	3920	2.3750	4.4375	1.1875	1.1830	0.9375	28 900	7 490
3984	3920	2.6250	4.4375	1.1875	1.1830	0.9375	28 900	7 490
A4059	A4138	0.5901	1.3775	0.4330	0.4326	0.3437	2 740	710
09067	09195	0.7500	1.9380	0.7100	0.7500	0.5625	8 920	2 310
09067	09196	0.7500	1.9380	0.8350	0.7500	0.6875	8 920	2 310
09074	09195	0.7500	1.9380	0.8350	0.8480	0.5625	8 920	2 310
09074	09196	0.7500	1.9380	0.8350	0.8480	0.6875	8 920	2 310
LM11749	LM11710	0.6875	1.5700	0.5450	0.5750	0.4200	5 160	1 340
LM11949	LM11910	0.7500	1.7810	0.6100	0.6550	0.4750	6 870	1 780
M12649	M12610	0.8437	1.9687	0.6900	0.7200	0.5500	9 170	2 380
LM12749	LM12710	0.8656	1.7810	0.6100	0.6550	0.4750	6 780	1 760
LM12749	LM12711	0.8656	1.8100	0.6100	0.6550	0.4750	6 780	1 760
14125A	14274	1.2500	2.7170	0.7813	0.7710	0.6250	11 400	2 950
14125A	14276	1.2500	2.7170	0.7813	0.7710	0.6250	11 400	2 950
14137A	14274	1.3750	2.7170	0.7813	0.7710	0.6250	11 400	2 950
14137A	14276	1.3750	2.7170	0.7813	0.7710	0.6250	11 400	2 950
14138A	14274	1.3750	2.7170	0.7813	0.7710	0.6250	11 400	2 950
14138A	14276	1.3750	2.7170	0.7813	0.7710	0.6250	11 400	2 950
15101	15245	1.0000	2.4409	0.7500	0.8125	0.5625	10 500	2 730
15123	15245	1.2500	2.4409	0.7500	0.7500	0.5625	10 500	2 730
25580	25520	1.7500	3.6250	0.9375	1.0000	0.7500	18 800	4 880
25590	25520	1.7960	3.6250	0.9375	1.0000	0.7500	18 800	4 880
27684	27620	3.0000	4.9375	1.0000	1.0000	0.7813	24 400	6 320

Note actual products may differ from photos shown in this brochure. Product availability and specifications are subject to change without notice.

TAPERED ROLLER BEARINGS

IMPERIAL SERIES (COND'T)



Bearing No.		Boundary Dimensions (Inch)					Basic Load Ratings (lbf)	
Cone	Cup	d	D	T	B	C	Dynamic	Static
LM29749	LM29710	1.5000	2.5625	0.7100	0.7200	0.5500	10 100	2 620
39590	39520	2.6250	4.4375	1.1875	1.1875	0.9375	34 700	9 010
L44643	L44610	1.0000	1.9800	0.5600	0.5800	0.4200	6 260	1 620
L44649	L44610	1.0625	1.9800	0.5600	0.5800	0.4200	6 260	1 620
L45449	L45410	1.1417	1.9800	0.5600	0.5800	0.4200	6 230	1 620
47487	47420	2.7500	4.7244	1.2813	1.2813	1.0313	37 200	9 650
LM48548	LM48510	1.3750	2.5625	1.5000	0.7200	0.5500	11 300	2 940
LM67048	LM67010	1.2500	2.3280	1.2810	0.6600	0.4650	8 210	2 130
L68149	L68110	1.3775	2.3280	0.6250	0.6600	0.4700	7 990	2 070
L68149	L68111	1.3775	2.3612	0.6250	0.6600	0.4700	7 990	2 070
JL69349	JL69310	1.4961	2.4803	0.6693	0.6693	0.5315	8 960	2 320
M86649	M86610	1.1875	2.5312	0.8438	0.8438	0.6563	12 500	3 250
M88048	M88010	1.3125	2.6875	0.8750	0.8750	0.6875	13 400	3 470
LM102949	LM102910	1.7812	2.8910	0.7700	0.7800	0.6200	12 800	3 320
JLM104948	JLM104910	1.9685	3.2283	0.8465	0.8465	0.6693	16 900	4 390
LM104949	LM104911	2.0000	3.2500	0.8500	0.8750	0.6500	16 900	4 390
HM212049	HM212011	2.6250	4.8125	1.5000	1.5100	1.1700	46 900	12 200
LM501349	LM501310	1.6250	2.8910	0.7700	0.7800	0.5800	13 100	3 410
LM501349	LM501314	1.6250	2.8910	0.8437	0.7800	0.6537	13 100	3 410
JLM506849	JLM506810	2.1654	3.5433	0.9055	0.9055	0.7283	19 100	4 960
LM603049	LM603011	1.7812	3.0625	0.7812	0.7812	0.5937	13 400	3 470
LM603049	LM603012	1.7812	3.0625	0.8437	0.7812	0.6562	13 400	3 470
M802048	M802011	1.6250	3.2500	1.0450	1.0100	0.7950	19 100	4 950

SET No.	Cone	Cup
SET 2	LM11949	LM11910
SET 4	L44649	L44610
SET 14	L44643	L44610
SET 52	25580	25520

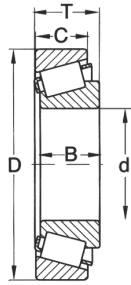
Bearing No.	Description
LM67000LA	LM67048 with seal



Note actual products may differ from photos shown in this brochure. Product availability and specifications are subject to change without notice.

TAPERED ROLLER BEARINGS

METRIC SERIES



Bearing No.	Boundary Dimensions (Inch)					Basic Load Ratings (lbf)	
	d	D	T	B	C	Dynamic	Static
	mm	mm	mm	mm	mm	(kN)	(kN)
30203	17.000	40.000	13.250	12.000	11.000	19.3	19.0
30204A	20.000	47.000	15.250	14.000	12.000	27.5	27.5
30205	25.000	52.000	16.250	15.000	13.000	32.5	35.5
30209	45.000	85.000	20.750	19.000	16.000	71.0	83.0
30212	60.000	110.000	23.750	22.000	19.000	104.0	122.0
30304A	20.000	52.000	16.250	15.000	13.000	34.5	33.5
30310	50.000	110.000	29.250	27.000	23.000	132.0	150.0
32005X	25.000	47.000	15.000	15.000	11.500	26.5	34.0
32009	45.000	75.000	20.000	20.000	15.500	61.0	86.5
32206	30.000	62.000	21.250	20.000	17.000	54.0	63.0
32209	45.000	85.000	24.750	23.000	19.000	83.0	100.0
32210	50.000	90.000	24.750	23.000	19.000	88.0	110.0
32308	40.000	90.000	35.250	33.000	27.000	122.0	150.0

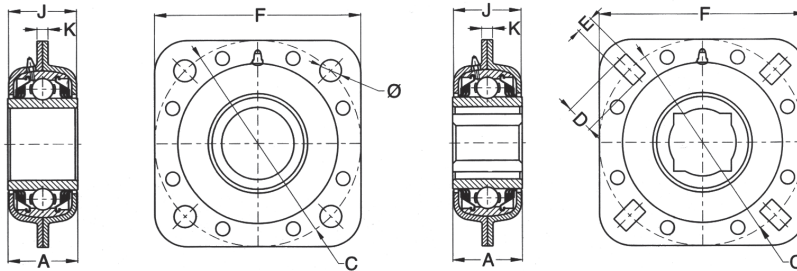
Note actual products may differ from photos shown in this brochure. Product availability and specifications are subject to change without notice.

AGRICULTURAL BEARINGS



AGRICULTURAL BEARINGS

TRI-PLY SEAL SQUARE FLANGE UNITS

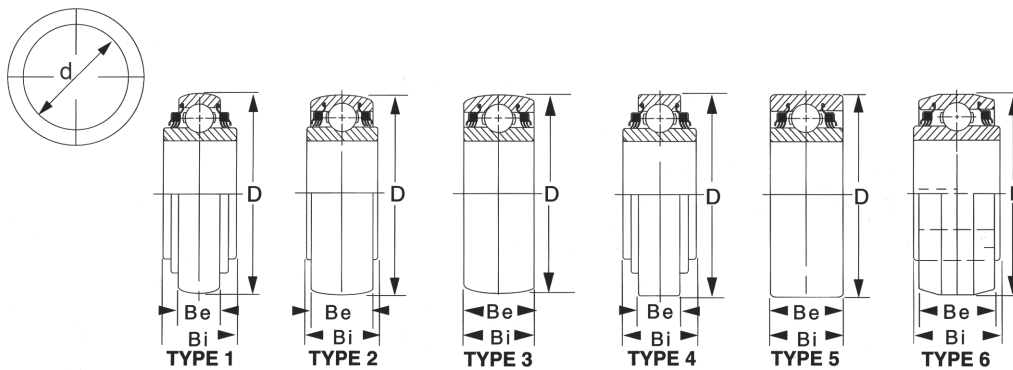


Bearing No.	Dimensions (Inch)									
	Shaft	Bore Type	Bolt Hole Diameter	D	E	A	C	F	J	K
ST491A	1 3/4	Round	13.5			42.85	127	127	41.7	6.75
ST491B	1 1/2	Round		16.7	13.5	42.85	127	127	41.7	6.75

Note actual products may differ from photos shown in this brochure. Product availability and specifications are subject to change without notice.

AGRICULTURAL BEARINGS

ROUND BORE NON-RELUBRICATABLE

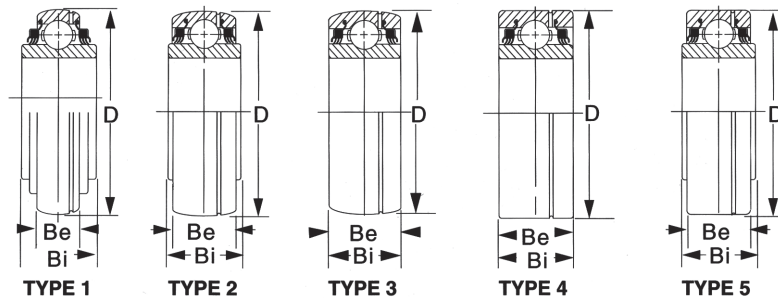
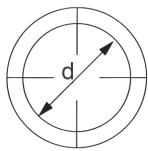


Bearing No.	Type	Dimensions (mm)				Basic Load Ratings (kN)		Weight (kg)
		d	D	Width		Dynamic	Static	
				Be	Bi			
W208PPB2	1	38.113	80.000	18.000	42.875	36.8	19.9	0.72
W208PPB4	3	30.163	80.000	30.175	30.175	36.8	19.9	0.66
W208PPB7	2	30.170	80.000	18.000	30.175	36.8	19.9	0.64
W208PP10	4	38.113	80.000	21.000	42.875	36.8	19.9	0.68
W208PPB14	6	22.225	87.320	30.180	36.510	36.8	19.9	0.70
W208PPB23	2	38.113	80.000	30.175	42.875	32.0	15.6	0.68
W209PPB2	3	45.000	85.000	30.175	30.175	36.8	20.2	0.65
W209PPB4	3	39.000	85.000	30.175	30.175	36.8	20.2	0.75
W210PP2	5	49.225	90.000	30.175	30.175	39.9	23.0	0.77
W210PPB2	3	49.225	90.000	30.175	30.175	39.9	23.0	0.71
W210PPB5	3	45.339	90.000	30.175	30.175	39.9	23.0	0.79
W211PP2	5	55.575	100.000	33.325	33.325	48.8	29.0	1.06
W211PPB2	3	55.575	100.000	33.325	33.325	48.8	29.0	0.97
W214PPB2	3	70.000	125.000	39.675	39.675	71.0	43.5	1.80
W214PPB9	3	70.256	125.000	28.000	44.450	71.0	43.5	1.80

Note actual products may differ from photos shown in this brochure. Product availability and specifications are subject to change without notice.

AGRICULTURAL BEARINGS

ROUND BORE RELUBRICATABLE

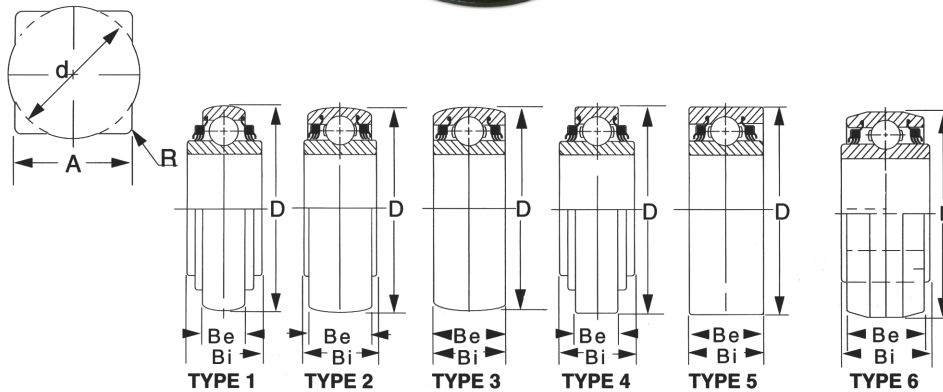


Bearing No.	Type	Dimensions (mm)				Basic Load Ratings (kN)		Weight (kg)
		d	D	Width		Dynamic	Static	
				Be	Bi			
GW209PPB2	3	45.000	85.000	30.175	30.175	36.8	20.2	0.65
GW209PPB4	3	39.000	85.000	30.175	30.175	36.8	20.2	0.75
GW209PPB11	1	45.237	85.000	22.000	36.525	36.8	20.2	0.62
GW210PPB2	3	49.225	90.000	30.175	30.175	39.9	23.0	0.68
GW210PPB5	3	45.339	90.000	30.175	30.175	39.9	23.0	0.79
GW210PP9	5	49.403	90.000	23.000	36.525	39.9	23.0	0.79
GW211PP2	4	55.575	100.000	33.325	33.325	48.8	29.0	1.36
GW211PPB2	3	55.575	100.000	33.325	33.325	48.8	29.0	1.19
GW211PPB9	1	55.573	100.000	25.000	39.675	48.8	29.0	0.92
GW211PPB10	3	49.225	100.000	33.325	33.325	48.8	29.0	1.03
GW211PPB13	1	45.339	100.000	25.000	33.325	48.8	29.0	0.92
GW214PP2	4	70.000	125.000	39.675	39.675	71.0	43.5	1.9
GW214PPB2	3	70.000	125.000	39.675	39.675	71.0	43.5	1.8
GW214PPB3	3	49.225	125.000	39.675	39.675	71.0	43.5	1.93
GW214PPB6	1	68.278	125.000	28.000	68.263	71.0	43.5	2.16

Note actual products may differ from photos shown in this brochure. Product availability and specifications are subject to change without notice.

AGRICULTURAL BEARINGS

SQUARE BORE NON-RELUBRICATABLE

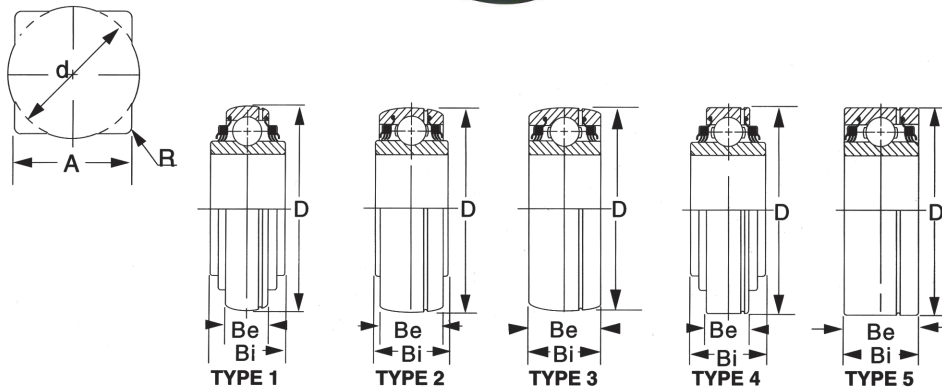


Bearing No.	Type	Dimensions (mm)					Basic Load Ratings (kN)		Weight (kg)
		Shaft	A Nominal	D	Width		Dynamic	Static	
					Be	Bi			
W208PP5	4	28.575	29.972	80.000	18.000	36.525	36.8	19.9	0.68
W208PPB5	1	28.575	29.970	80.000	18.000	36.525	36.8	19.9	0.67
W208PPB6	1	25.400	26.162	80.000	18.000	36.525	36.8	19.9	0.72
W208PP8	4	28.575	29.972	80.000	30.175	36.525	36.8	19.9	0.75
W208PPB8	2	28.575	29.972	80.000	18.000	36.525	36.8	19.9	1.65
W208PPB9	2	25.400	26.162	80.000	30.175	36.525	36.8	19.9	1.74
W208PPB11	6	22.225	23.000	85.750	30.175	36.525	36.8	19.9	2.05
W208PPB12	6	28.575	29.972	85.750	30.175	36.525	36.8	19.9	1.87
W208PPB13	1	22.225	23.000	80.000	18.000	36.525	36.8	19.9	0.74
W209PPB5	2	31.750	32.766	85.000	30.175	36.525	36.8	20.2	0.79
W209PPB7	6	31.750	32.766	85.750	30.175	36.525	36.8	20.2	1.85
W210PP4	5	28.575	29.972	90.000	30.175	30.175	39.9	23.0	0.95
W210PPB4	3	28.575	29.972	90.000	30.175	30.175	39.9	23.0	0.96
W211PP3	5	38.100	38.890	100.000	33.324	33.324	48.8	29.0	1.27
W211PPB3	3	38.100	38.890	100.000	33.324	33.324	48.8	29.0	1.21
W211PP5	4	38.100	38.890	101.600	36.525	44.450	48.8	29.0	1.58
W211PPB6	6	38.100	38.890	103.556	36.525	44.450	48.8	29.0	1.84

Note actual products may differ from photos shown in this brochure. Product availability and specifications are subject to change without notice.

AGRICULTURAL BEARINGS

SQUARE BORE RELUBRICATABLE

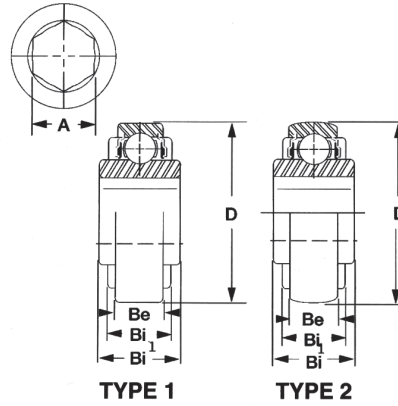


Bearing No.	Type	Dimensions (mm)					Basic Load Ratings (kN)		Weight (kg)
		Shaft	A Nominal	D	Width		Dynamic	Static	
					Be	Bi			
GW208PPB5	1	28.575	29.972	80.000	21.000	36.525	36.80	19.90	0.67
GW208PPB6	1	25.400	26.162	80.000	21.000	36.525	36.80	19.90	0.79
GW208PPB8	2	28.575	29.972	80.000	30.175	36.525	36.80	19.90	0.79
GW208PP17	4	28.575	29.972	85.738	30.175	36.525	36.80	19.90	0.93
GW209PPB5	2	31.750	32.776	85.000	30.175	36.525	36.80	20.20	0.79
GW209PPB8	1	31.750	32.776	85.000	22.000	36.525	36.80	20.20	0.75
GW210PP4	5	28.575	29.972	90.000	30.175	30.175	39.90	23.00	1.05
GW210PPB4	3	28.575	29.972	90.000	30.175	30.175	39.90	23.00	0.79
GW211PP3	5	38.100	39.890	100.000	33.325	33.325	48.80	29.00	1.27
GW211PPB3	3	38.100	38.890	100.000	33.325	33.326	48.80	29.00	1.21
GW211PP17	4	38.100	38.890	100.000	33.325	44.450	48.80	29.00	1.19

Note actual products may differ from photos shown in this brochure. Product availability and specifications are subject to change without notice.

AGRICULTURAL BEARINGS

HEX BORE SERIES AGRICULTURAL BEARINGS

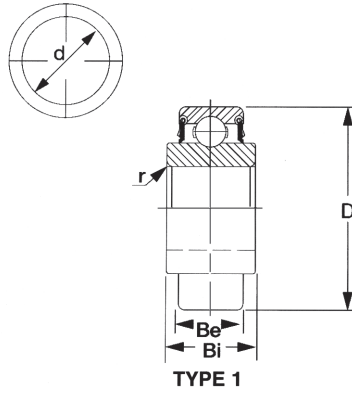


Bearing No.	Type	Dimensions (mm)					Basic Load Ratings (N)	
		Hex Shaft Size (Inch)	A Nominal	D	Width		Dynamic	Static
					Be	Bi		
204KRR2	1	11/16"	17.653	47.000	14.000	20.955	12 889	6 267
205KRR2	1	7/8"	22.250	52.000	15.000	25.400	14 000	7 156
205KRRB2	2	7/8"	22.250	52.000	15.000	25.400	14 000	7 156
206KRR6	1	1"	25.425	62.000	16.000	24.000	19 422	10 311
206KRRB6	2	1"	25.425	62.000	16.000	24.000	19 422	10 311
207KRRB9	2	1 1/8"	28.600	72.000	17.000	37.694	25 644	14 000
207KRRB12	2	1 1/8"	28.600	72.000	17.000	25.000	25 644	14 000
W208PPB16	2	1 1/4"	31.775	80.000	18.000	36.520	32 622	16 222

Note actual products may differ from photos shown in this brochure. Product availability and specifications are subject to change without notice.

AGRICULTURAL BEARINGS

200 SERIES

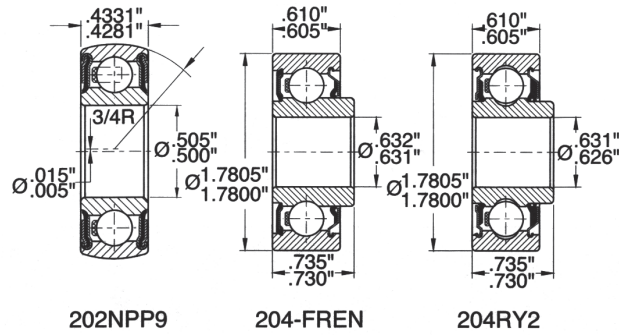
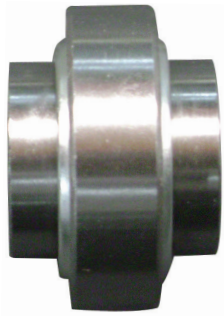


Bearing No.	Type	Dimensions (mm)			
		d	D	Width	
				Be	Bi
203KRR2	1	16.260	40.000	12.000	18.288
203KRR5	1	13.081	40.000	12.000	18.288

Note actual products may differ from photos shown in this brochure. Product availability and specifications are subject to change without notice.

AGRICULTURAL BEARINGS

SPECIAL SIZES



Bearing No.	Dimensions (mm)				Description
	Bore	O.D.	Inner Ring Width	Outer Ring Width	
202NPP9	12.827	38.100	11.000	11.000	O.D. turned to 3/4 radius. Shroud seals.
203KRR3	15.951	50.800	15.000	15.000	Thick outer ring, two inch O.D. Shroud seals.
204KRD4	16.000	47.000	17.500	14.000	Special bore. Trash seals.
204RY2	16.027	45.225	18.669	15.494	Gothic arch race. Double lip shroud seal extended side, single lip shroud seal opposite.
204FREN	16.027	45.225	18.669	15.494	Special 204 with wide Inner Ring. Double sealed.
205R3	15.875	52.000	35.000	15.000	Special bore, extended Inner Ring. Triple seals.
Z9504AB	19.060	45.225	15.494	15.494	Basic 6204-2RS with 3/4 bore and .610 width. Rubber seals.

Note actual products may differ from photos shown in this brochure. Product availability and specifications are subject to change without notice.

AGRICULTURAL BEARINGS

NATIONAL AGRICULTURAL BEARING INTERCHANGE

NATIONAL	FAFNIR	BCA	NTN	RHP
202NPP9	202NPP9	202FFH8	-	-
203KRR2	203KRR2	203RRAR10	-	-
203KRR3	203KRR3	8984YY	-	-
203KRR5	203KRR5	203RRAR8	-	-
204KRD4	204KRD4	204FGB	-	-
204KRR2	204KRR2	HPC011GP	1AH04-11/16	-
204RY2	204RY2	204FVMN	-	-
205KRR2	205KRR2	HPC014GP	1AH05-7/8	-
205KRRB2	205KRRB2	HPS014GP	2AH05-7/8	-
205R3	-	-	-	-
206KRR6	206KRR6	HPC100GP	1AH06-1	-
206KRRB6	206KRRB6	HPS100GP	2AH06-1	-
207KRRB12	207KRRB12	HPS102GPE	-	-
207KRRB9	207KRRB9	HPS102GP	2AH07-1.1/8	-
CS203DDU	203NPPB	S203FF	CS203LLU	1726203-2RS
CS204DDU	204NPPB	S204FF	CS204LLU	1726204-2RS
CS205DDU	205NPPB	S205FF	CS205LLU	1726205-2RS
CS206DDU	206NPPB	S206FF	CS206LLU	1726206-2RS
CS207DDU	207NPPB	S207FF	CS207LLU	1726207-2RS
CS208DDU	208NPPB	S208FF	CS208LLU	1726208-2RS
CS209DDU	209NPPB	S209FF	CS209LLU	1726209-2RS
CS210DDU	-	-	-	1726210-2RS
CS305DDU	-	-	-	-
CS306DDU	-	-	-	-
CS307DDU	-	-	-	-
CS308DDU	-	-	-	1726308-2RS
CS309DDU	-	-	-	1726309-2RS
CS310DDU	-	-	-	1726310-2RS
GW208PP17	GW208PP17	DC208TTR17	-	-
GW208PPB5	GW208PPB5	DS208TTR21	1AS08-1.5/32D1	1/PDNF240/9G

Note actual products may differ from photos shown in this brochure. Product availability and specifications are subject to change without notice.

AGRICULTURAL BEARINGS

NATIONAL AGRICULTURAL BEARING INTERCHANGE

NATIONAL	FAFNIR	BCA	NTN	RHP
GW208PPB6	GW208PPB6	DS208TTR6	-	1/PDNF240/8G
GW208PPB8	GW208PPB8	DS208TTR8	2AS08-1.1/8D1	PDNF240/9G
GW209PPB11	GW209PPB11	DS209TTR10	1AC09D1V1	28/DNF245-45G
GW209PPB2	GW209PPB2	DS209TTR2	3AC09D1	PDNF145-45G
GW209PPB4	GW209PPB4	DS209TTR4	3AC09-1.1/2D1	28/PDNF145-1.1/2G
GW209PPB5	GW209PPB5	DS209TTR5	2AS09-1.1/4D1	PDNF245/10G
GW209PPB8	GW209PPB8	DS209TTR8	-	DNF245/10G
GW210PP4	GW210PP4	DC210TTR4	7AS10-1.1/8D1	PDF150/9G
GW210PP9	GW210PP9	-	-	-
GW210PPB2	GW210PPB2	DS210TTR2	3AC10-1.15/16D1	PDNF150-1.15/16G
GW210PPB4	GW210PPB4	DS210TTR4	3AS10-1.1/8D1	PDNF150/9G
GW210PPB5	GW210PPB5	DS210TTR5R	3AC10-1.3/4D1	-
GW211PP17	GW211PP17	DC211TTR3E	-	-
GW211PP2	GW211PP2	DC211TTR2	7AS11-1.1/2D1	PDF155-2.3/16G
GW211PP3	GW211PP3	DC211TTR3	7AS11-1.1/2D1	PDF155/12G
GW211PPB10	GW211PPB10	-	-	-
GW211PPB13	GW211PPB13	DS211TTR13	-	-
GW211PPB2	GW211PPB2	DS211TTR2	3AC11-2.3/16D1	PDNF155-2.3/16G
GW211PPB3	GW211PPB3	DS211TTR3	3AS11-1.1/2D1	PDNF155/12G
GW211PPB9	GW211PPB9	DS211TTR9	-	-
GW214PP2	GW214PP2	DC214TTR2	-	-
GW214PPB2	GW214PPB2	-	3AC14D1	-
GW214PPB3	-	DS214TTR3	-	-
GW214PPB6	-	DC216TTR2	-	-
ST491A	491A	FD209RA	-	-
ST491B	DHU1-1/2R-209	FD209RB	-	-
W208PP10	W208PP10	DC208TT10	-	36/DF140-1.1/2
W208PP5	W208PP5	DC208TT5	5AS08-1.1/8	2/DF240/9
W208PP8	W208PP8	DC208TT8	6AS09-1.1/8D1	PDF240/9
W208PPB11	W208PPB11	DS208TT11	4AS08-7/8	-

Note actual products may differ from photos shown in this brochure. Product availability and specifications are subject to change without notice.

AGRICULTURAL BEARINGS

NATIONAL AGRICULTURAL BEARING INTERCHANGE

NATIONAL	FAFNIR	BCA	NTN	RHP
W208PPB12	W208PPB12	DS208TT12	4AS08-1.1/8	41/PDNF240/9B
W208PPB13	W208PPB13	DS208TT13	1AS08-7/8	2/DNF240/7
W208PPB14	W208PPB14	DS208TT14	-	-
W208PPB16	W208PPB16	HPS104TP	2AH08-1.1/4V2	-
W208PPB2	W208PPB2	-	2AC08-1.1/2	36/PDNF140-1.1/2
W208PPB23	W208PPB23	DS208TT2A	-	-
W208PPB4	W208PPB4	DS208TT4	-	PDNF140-1.3/16
W208PPB5	W208PPB5	DS208TT5	1AS08-1.1/8	2/DNF240/9
W208PPB6	W208PPB6	DS208TT6	1AS08-1	2/DNF240/8
W208PPB7	W208PPB7	DS208TT7	1AC08-1.3/16	2/DNF140-1.3/16
W208PPB8	W208PPB8	DS208TT8	2AS08-1.1/8	PDNF240/9
W208PPB9	W208PPB9	DS208TT9	2AS08-1	PDNF240/8
W209PPB2	W209PPB2	DS209TT2	3AC09	PDNF145-45
W209PPB4	W209PPB4	DS209TT4	3AC09-1/2	28/PDNF145-1.1/2
W209PPB5	W209PPB5	DS209TT5	2AS09-1.1/4	PDNF245/10
W209PPB7	W209PPB7	DS209TT7	-	-
W210PP2	W210PP2	DC210TT2	7AC10-1.15/16	PDF150-1.15/16
W210PP4	W210PP4	DC210TT4	7AS10-1.1/8	PDF150/9
W210PPB2	W210PPB2	DS210TT2	3AC10-1.15/16	PDNF150-1.15/16
W210PPB4	W210PPB4	DS210TT4	3AS10-1.3/4	PDNF150/9
W210PPB5	W210PPB5	DS210TT5	3AC10-1.3/4	5/PDNF150-1.3/4
W211PP2	W211PP2	DC211TT2	7AC11-2.3/16D1	PDF155-2.3/16
W211PP3	W211PP3	DC211TT3	7AS11-1.1/2	PDF155/12
W211PP5	W211PP5	DS211TT5	6AS11-1.1/2V1	-
W211PPB2	W211PPB2	DS211TT2	3AC11-2.3/16	PDNF155-2.3/16
W211PPB3	W211PPB3	DS211TT3	3AS11-1.1/2	PDNF155/12
W211PPB6	W211PPB6	DS211TT6	4AS11-1.1/2	-
W214PPB2	W214PPB2	-	-	-
W214PPB9	W214PPB9	-	-	-
Z9504AB	P204RR6	204BBAR	SC0451C3	-

Note actual products may differ from photos shown in this brochure. Product availability and specifications are subject to change without notice.

NATIONAL PRODUCTS LIMITED WARRANTY

WARRANTY OFFERED BY: This warranty (the “**Warranty**”) applies to all goods, materials, parts and products sold under the NATIONAL brand name or trademark (“**NATIONAL Products**”) by Wajax Industrial Components Limited Partnership or any of its affiliates or related entities (each a “**Wajax Entity**”); the specific Wajax Entity bound by this Warranty (“**Wajax**”) will be the Wajax Entity which is a party to the relevant contract or order with the customer (“**Customer**”) pursuant to which such NATIONAL Products are sold.

DEFECTS WARRANTED - NATIONAL PRODUCTS: Subject to the provisions set out in this Warranty document, Wajax warrants that NATIONAL Products are of good workmanship, free of defects in manufacture and material, and conform to Wajax’s specifications as expressly set out in the relevant contract or purchase order, subject to Wajax’s standard tolerances for specifications. If Wajax determines in its sole discretion that any NATIONAL Product (or part thereof) fails to conform with such warranty during the applicable warranty period, and that the terms and conditions of this Warranty have been fully satisfied, then Wajax (in its sole discretion) shall promptly repair or replace such NATIONAL Product (or part thereof) at Wajax’s expense and deliver the same FCA Wajax facilities, or refund the purchase price thereof. The obligations of Wajax under this Warranty shall be strictly limited to repair or replacement of any NATIONAL Product which in Wajax’s sole opinion is defective at the time of delivery of such NATIONAL Product to the Customer, or refund of the purchase price thereof. This Warranty shall apply only to NATIONAL Products sold by Wajax which have been paid for by the Customer. If Wajax elects to repair the NATIONAL Product subject to the warranty claim, the Customer shall be responsible for the removal and transportation thereof to Wajax’s designated facility, provided that if the Customer requests that the repair be done at the Customer’s site, then the Customer will be responsible for the removal thereof and Wajax will only cover the repair time spent on the site. All other expenses will be borne by the Customer. Any required repair shall be performed during Wajax’s normal business hours and if repair is required outside of normal business hours then overtime rates shall apply and the Customer shall pay Wajax’s cost differential for the same. This Warranty is subject to the limitations, warranty period, exclusions and other terms and conditions set out herein. Wajax shall warrant any repaired or replaced parts until the expiration of the original Warranty period.

WARRANTY PERIOD: This Warranty shall be restricted to defects in NATIONAL Products present at the time of delivery thereof to the Customer which become manifest during the period of twelve (12) months after the date of delivery of such NATIONAL Products to the Customer. Such period shall: (i) be as stated herein unless otherwise stated in the contract between Wajax and the Customer; and (ii) not be extended by the performance of any subsequent repairs or other remedial work.

WARRANTY EXCLUSIONS: This Warranty shall not cover, and Wajax shall not be liable under this Warranty for any damages, costs or expenses of the Customer or of any third party caused or contributed to in whole or in part by, or any defects caused by or related to:

- Any labour not performed by Wajax or defects or faults occurring or emanating as a result of the same.
- Any event or circumstance which arises through no fault of Wajax including, without limitation, disaster, force majeure, accidents, abuse, neglect, chemical, electro-chemical or electrical influences, any form of overload of any NATIONAL Product or any abnormal physical stress or environmental conditions.
- Any incorrect, improper or inadequate installation, assembly, use, storage, inspection, maintenance, handling, removal or transportation of any NATIONAL Product according to all recommendations and instructions of Wajax regarding the NATIONAL Product, and all standard industry practices.
- Any failure of the Customer to comply with all recommendations and instructions of Wajax regarding any NATIONAL Product including, without limitation, any failure of the Customer to service or maintain the NATIONAL Product or any part or component thereof in accordance with the recommended service/maintenance intervals and procedures specified by Wajax, or any use of fuels, oils, additives or any other consumable of a standard not compatible with any such recommended specifications.
- Any acts or omissions of the Customer including, without limitation, any specifications, instructions or designs specified or provided by or on behalf of the Customer.
- Normal wear and tear, or parts that, owing to their inherent material properties or their specified use, are subject to premature wear.
- Any materials or substances being processed by, or by the entry of materials or substances into, any NATIONAL Products including, without limitation debris, moisture, dust, grease or other contamination.

WARRANTY INVALIDITY: The Customer’s failure to observe and perform any of the following shall automatically invalidate this Warranty with respect to a NATIONAL Product:

- The Customer must comply with all requirements set out in this Warranty and any applicable contract or purchase order (and related terms and conditions) with respect to such NATIONAL Product.
- Such NATIONAL Product must be installed, assembled, handled, stored, used, operated, inspected, maintained, removed and transported in a proper and prudent manner in accordance with the recommendations and instructions of Wajax, standard industry practices, and all applicable laws.
- In the event of any incident or event giving rise to, or likely to give rise to, a claim under this Warranty, the Customer must take precautions to prevent further damage to such NATIONAL Product. Wajax shall not be liable for any further damage to such NATIONAL Product until it has been repaired to the satisfaction of Wajax.

This Warranty shall be void if the Customer:

- Has willfully concealed or misrepresented any material fact or circumstance concerning this Warranty or such NATIONAL Product (whether before or after a loss), or in case of any fraud or false statement by the Customer relating thereto.
- Transfers title of such NATIONAL Product to a third party, or lends, leases, rents or otherwise releases possession of same, in any manner whatsoever, or becomes bankrupt or placed in receivership such that such NATIONAL Product is seized or taken by a creditor or a third party claiming rights, title or ownership in such NATIONAL Product.
- Causes or permits any reconstruction, repair, alteration or modification of such NATIONAL Product to be made by any person not authorized by Wajax, or if any parts or components not supplied by Wajax are used in connection with any of the foregoing.

NOTICE OF WARRANTY CLAIMS: To be effective, a claim under this Warranty must be: (i) made in writing during the applicable warranty period; (ii) sent to Wajax at the Wajax branch where the NATIONAL Product was purchased; and (iii) received by Wajax within ten (10) days of the Customer’s discovery of the defect.

ADDITIONAL LIMITATIONS: No suit or action on this Warranty for the recovery of any claim may be sustained in any court of law or equity unless the Customer has complied with all the requirements of this Warranty and unless such suit or action is commenced within three (3) months from the date on which the Customer originally made such claim under this Warranty.

WAJAX’S TOTAL LIABILITY UNDER THIS WARRANTY WITH RESPECT TO ANY NATIONAL PRODUCT, WHETHER THROUGH REPAIR OR REPLACEMENT OF THE NATIONAL PRODUCT OR REFUND OF THE PURCHASE PRICE THEREOF, IS LIMITED TO THE AMOUNT OF THE PURCHASE PRICE ACTUALLY RECEIVED BY WAJAX FROM THE CUSTOMER FOR THE DEFECTIVE NATIONAL PRODUCT. Except for the repair, replacement or refund obligation as expressly provided herein, Wajax shall not be liable for any damages, losses, costs or expenses suffered by the Customer or any other third party of any nature or kind including, without limitation, any direct, indirect, consequential or incidental damages or loss of any kind for any reason, including down-time, loss of revenue or profits, loss of production, loss or diminution of value of property, loss of use of property or facilities, loss of economic opportunity or loss of life or injury by the Customer or any other party whether or not caused by the defective NATIONAL Product or the removal thereof. The remedies set out herein are the Customer’s sole remedies, and are Wajax’s only obligations (whether based on breach of contract, warranty, indemnity or statutory duty or in tort or otherwise), arising out of or in connection with defective or deficient NATIONAL Products.

The Warranty set out herein is the only warranty applicable to the NATIONAL Products. WAJAX EXPRESSLY DISCLAIMS, TO THE MAXIMUM EXTENT PERMITTED BY APPLICABLE LAWS, ANY AND ALL OTHER REPRESENTATIONS, WARRANTIES, COVENANTS, CONDITIONS, GUARANTEES OR SIMILAR OBLIGATIONS, WHETHER EXPRESS OR IMPLIED BY FACT, BY LAW (INCLUDING ANY STATUTE OR REGULATION), BY CUSTOM OR TRADE USAGE OR BY ANY COURSE OF DEALING, INCLUDING, WITHOUT LIMITATION, ANY IMPLIED WARRANTIES OF QUALITY, MERCHANTABILITY, FITNESS FOR PURPOSE AND FITNESS FOR A PARTICULAR PURPOSE, NON-INFRINGEMENT OR OTHERWISE, ALL OF WHICH ARE EXCLUDED AND ARE INAPPLICABLE.

GOVERNING LAW: This Warranty is governed by the laws of the Province of Ontario.

NOTES

NATIONAL

BEARINGS+POWER TRANSMISSION PRODUCTS

The National Bearings and Power Transmission product line by Wajax, provides you access to a wide range of high quality components for your MRO and OEM requirements which are produced in ISO9001 and QS9001 certified facilities to our Wajax Engineering standards.

Our wide range of products include;

- » Ball bearings, tapered roller, spherical plain, ball bearing inserts and agricultural bearings
- » Mounted units, corrosion resistant, thermoplastic, stainless steel and waterproof
- » Roller chains, leaf chains and conveyor chains
- » Sprockets, sheaves, shaft collars, couplings and bushings
- » Custom manufacturing to meet your MRO / OEM needs

Available from our network of over 100 locations across Canada, our National brand serves a wide range of industries and applications – making your operations more productive. From Material Handling, Food and Beverage, Forestry, Agricultural, Mining, Aggregate to general processing and production – National has the products to meet your needs.



1-877-469-2529

NAT_BRO_BEARINGS_NOV20