

# NATIONAL

BEARINGS+POWER TRANSMISSION PRODUCTS



[ntl-bpt.com](http://ntl-bpt.com)

**Corrosion resistant units**

1-877-469-2529



# STAINLESS STEEL MOUNTED BEARING UNITS

## FEATURES

### MATERIAL AND OPERATING TEMPERATURE

DESCRIPTION	MATERIALS
HOUSING	SUS 304
BEARING INSERT	
SET SCREW	SUS 304
RETAINER	SUS 321
SLINGER & FRAME	SUS 321
INNER & OUTER RINGS	SUS 440C
BALLS	SUS 440C
GREASE NIPPLE	SUS 302
GREASE	
OPERATING TEMPERATURE	-20 C - 120 C



### RECOMMENDED TIGHTENING TORQUE FOR SET SCREWS

SET SCREW	BEARING NO.	TIGHTENING TORQUE (N-M)
M6 X 1	SUC204~206	3.9
M8 X 1	SUC207~209	8.3
M10 X 1	SUC210	16

### TOLERANCES FOR BEARING INNER RINGS

NOMINAL BORE DIA. (MM)		BORE DIAMETER				WIDTH		RADIAL RUN-OUT
		DM		D		B		
		DEVIATIONS		DEVIATIONS		DEVIATIONS		
Over	incl.	High	Low	High	Low	High	Low	max.
18	30	+21	0	+25	-40	0	-120	18
30	50	+25	0	+30	-5	0	-120	20

Unit: um



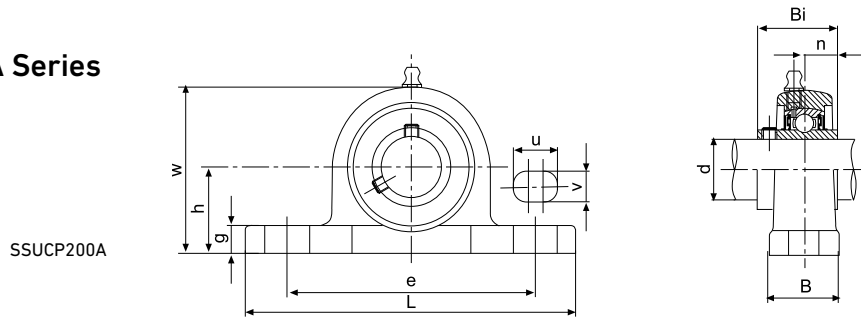
### TYPICAL APPLICATIONS

Food processing machinery • Medical equipment • Chemical machinery • Agricultural machinery and many applications that require cleanliness and rust prevention.

## STAINLESS STEEL MOUNTED BEARING UNITS

### STAINLESS PILLOW BLOCKS

#### SSUCP200A Series



Unit No.	Shaft Dia.		Dimensions (mm)										Bearing No.	Housing No.	Weight kg
	d		h	L	e	B	v	u	g	w	Bi	n			
	(in)	(mm)													
SSUCP201-8AG	1/2		33.3	127	95	30	13	19	14	64	31	12.7	SUC201-8G	SP204A	0.66
SSUCP202-10AG	5/8												SUC202-10G		
SSUCP204AG		20											SUC204G		
SSUCP204-12AG	3/4												SUC204-12G		
SSUCP205-14AG	7/8		36.5	140	105	30	13	19	15	70	34.1	14.3	SUC205-14G	SP205A	0.78
SSUCP205-15AG	15/16												SUC205-15G		
SSUCP205AG		25											SUC205G		
SSUCP205-16AG	1												SUC205-16G		
SSUCP206-18AG	1-1/8		42.9	162	119	36	17	21	16	82	38.1	15.9	SUC206-18G	SP206A	1.24
SSUCP206-19AG	1-3/16												SUC206-19G		
SSUCP206AG		30											SUC206G		
SSUCP206-20AG	1-1/4S												SUC206-20G		
SSUCP207-20AG	1-1/4		47.6	168	127	38	17	21	17	92	42.9	17.5	SUC207-20G	SP207A	1.55
SSUCP207-22AG	1-3/8												SUC207-22G		
SSUCP207AG		35											SUC207G		
SSUCP207-23AG	1-7/16												SUC207-23G		
SSUCP208-24AG	1-1/2		49.2	184	137	40	17	21	18	98	49.2	19	SUC208-24G	SP208A	1.92
SSUCP208AG		40											SUC208G		
SSUCP209-28AG	1-3/4		54	192	146	40	17	21	20	105	49.2	19	SUC209-28G	SP209A	2.31
SSUCP209AG		45											SUC209G		
SSUCP210-31AG	1-15/16		57.2	206	159	45	20	22	22	112	51.6	19	SUC210-31G	SP210A	2.67
SSUCP210AG		50											SUC210G		
SSUCP210-32AG	2												SUC210-32G		
SSUCP211-32G	2		63.5	219	171	60	20	25	23	124	55.6	22.2	SUC211-32G	SP211	4.21
SSUCP212-39G	2-7/16		69.8	241	184	70	20	25	25	137	66.1	25.4	SUC212-39G	SP212	5.84

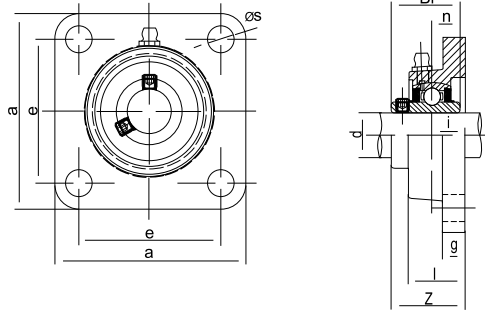
All pictures may differ from the final products. Product availability and specifications are subject to change without notice.

# STAINLESS STEEL MOUNTED BEARING UNITS

## STAINLESS 4-BOLT FLANGE

### SSUCF200A Series

SSUCF200A



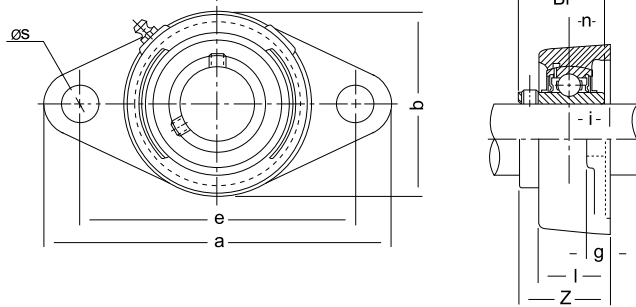
Unit No.	Shaft Dia.		Dimensions (mm)									Bearing No.	Housing No.	Weight kg
	d		a	e	i	g	l	s	z	Bi	n			
	(in)	(mm)												
SSUCF201-8AG	1/2		86	64	15	11	25.5	12	33.3	31	12.7	SUC201-8G	SF204A	0.66
SSUCF202-10AG	5/8													
SSUCF204AG		20												
SSUCF204-12AG	3/4													
SSUCF205-14AG	7/8		95	70	16	13	28	12	35.8	34.1	14.3	SUC205-14G	SF205A	0.92
SSUCF205-15AG	15/16													
SSUCF205AG		25												
SSUCF205-16AG	1													
SSUCF206-18AG	1-1/8		108	83	18	13	31	12	40.2	38.1	15.9	SUC206-18G	SF206A	1.33
SSUCF206-19AG	1-3/16													
SSUCF206AG		30												
SSUCF206-20AG	1-1/4S													
SSUCF207-20AG	1-1/4		117	92	19	15	34	14	44.4	42.9	17.5	SUC207-20G	SF207A	1.75
SSUCF207-22AG	1-3/8													
SSUCF207AG		35												
SSUCF207-23AG	1-7/16													
SSUCF208-24AG	1-1/2		130	102	21	15	36	16	51.2	49.2	19	SUC208-24G	SF208A	2.17
SSUCF208AG		40												
SSUCF209-28AG	1-3/4		137	105	22	16	38	16	52.2	49.2	19	SUC209-28G	SF209A	2.56
SSUCF209AG		45												
SSUCF210-31AG	1-15/16		143	111	22	16	40	16	54.6	51.6	19	SUC210-31G	SF210A	2.8
SSUCF210AG		50												
SSUCF210-32AG	2													
SSUCF211-32G	2		162	130	25	18	43	19	58.4	55.6	22.2	SUC211-32G	SF211	4.2

All pictures may differ from the final products. Product availability and specifications are subject to change without notice.

## STAINLESS STEEL MOUNTED BEARING UNITS

### STAINLESS 2-BOLT FLANGE

#### SSUCFL200A Series



Unit No.	Shaft Dia.		Dimensions (mm)									Bearing No.	Housing No.	Weight kg	
	d		a	e	i	g	l	s	z	b	Bi				n
	(in)	(mm)													
SSUCFL201-8AG	1/2		113	90	15	11	27	12	33.3	60	31	12.7	SUC201-8G	SFL204A	0.47
SSUCFL202-10AG	5/8														
SSUCFL204AG		20													
SSUCFL204-12AG	3/4														
SSUCFL205-14AG	7/8		131	99	16	13	28	16	35.7	68	34.1	14.3	SUC205-14G	SFL205A	0.66
SSUCFL205-15AG	1-5/16														
SSUCFL205AG		25													
SSUCFL205-16AG	1														
SSUCFL206-18AG	1-1/8		148	117	18	13	31	16	40.2	79	38.1	15.9	SUC206-18G	SFL206A	0.95
SSUCFL206-19AG	1-3/16														
SSUCFL206AG		30													
SSUCFL206-20AG	1-1/4S														
SSUCFL207-20AG	1-1/4		164	130	19	14	34	16	44.4	90	42.9	17.5	SUC207-20G	SFL207A	1.28
SSUCFL207-22AG	1-3/8														
SSUCFL207AG		35													
SSUCFL207-23AG	1-7/16														
SSUCFL208-24AG	1-1/2		175	144	21	15	36	16	51.2	100	49.2	19	SUC208-24G	SFL208A	1.64
SSUCFL208AG		40													
SSUCFL209-28AG	1-3/4		187	148	22	16	38	19	52.2	108	42.9	19	SUC209-28G	SFL209A	2.02
SSUCFL209AG		45													
SSUCFL210-31AG	1-15/16		195	157	22	16	40	19	54.6	115	51.6	19	SUC210-31G	SFL210A	2.32
SSUCFL210AG		50													
SSUCFL210-32AG	2														

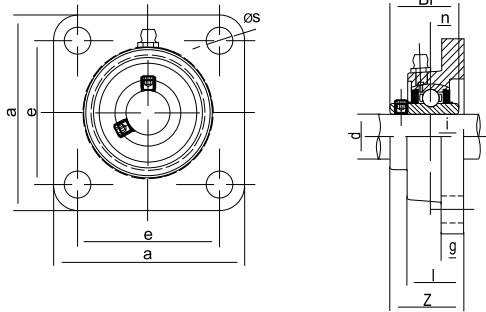
All pictures may differ from the final products. Product availability and specifications are subject to change without notice.

# STAINLESS STEEL MOUNTED BEARING UNITS

## STAINLESS TAPPED BASE

### SSUCF200A Series

SSUCF200A



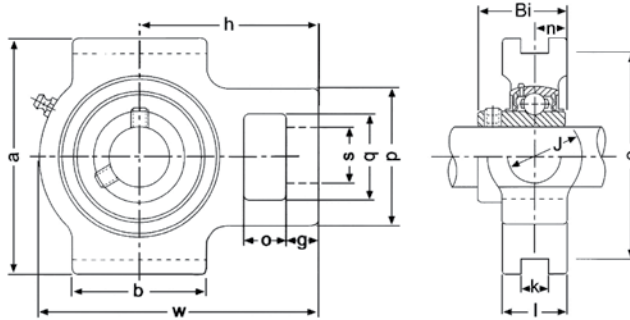
Unit No.	Shaft Dia.		Dimensions (mm)								Bearing No.	Housing No.	Weight kg	
	d		a	e	i	g	l	s	z	Bi				n
	(in)	(mm)												
SSUCF201-8AG	1/2		86	64	15	11	25.5	12	33.3	31	12.7	SUC201-8G	SF204A	0.66
SSUCF202-10AG	5/8											SUC202-10G		
SSUCF204AG		20										SUC204G		
SSUCF204-12AG	3/4											SUC204-12G		
SSUCF205-14AG	7/8		95	70	16	13	28	12	35.8	34.1	14.3	SUC205-14G	SF205A	0.92
SSUCF205-15AG	15/16											SUC205-15G		
SSUCF205AG		25										SUC205G		
SSUCF205-16AG	1											SUC205-16G		
SSUCF206-18AG	1-1/8		108	83	18	13	31	12	40.2	38.1	15.9	SUC206-18G	SF206A	1.33
SSUCF206-19AG	1-3/16											SUC206-19G		
SSUCF206AG		30										SUC206G		
SSUCF206-20AG	1-1/4S											SUC206-20G		
SSUCF207-20AG	1-1/4		117	92	19	15	34	14	44.4	42.9	17.5	SUC207-20G	SF207A	1.75
SSUCF207-22AG	1-3/8											SUC207-22G		
SSUCF207AG		35										SUC207G		
SSUCF207-23AG	1-7/16											SUC207-23G		
SSUCF208-24AG	1-1/2		130	102	21	15	36	16	51.2	49.2	19	SUC208-24G	SF208A	2.17
SSUCF208AG		40										SUC208G		
SSUCF209-28AG	1-3/4		137	105	22	16	38	16	52.2	49.2	19	SUC209-28G	SF209A	2.56
SSUCF209AG		45										SUC209G		
SSUCF210-31AG	1-15/16		143	111	22	16	40	16	54.6	51.6	19	SUC210-31G	SF210A	2.8
SSUCF210AG		50										SUC210G		
SSUCF210-32AG	2											SUC210-32G		
SSUCF211-32G	2		162	130	25	18	43	19	58.4	55.6	22.2	SUC211-32G	SF211	4.2

All pictures may differ from the final products. Product availability and specifications are subject to change without notice.

## STAINLESS STEEL MOUNTED BEARING UNITS

### STAINLESS TAKE-UP

#### SSUCT200 Series



Unit No.	Shaft Dia.		Dimensions (mm)														Bearing No.	Housing No.	Weight kg	
	d		o	g	p	q	s	b	k	e	a	w	J	l	h	Bi				n
	(in)	(mm)																		
SSUCT201-8G	1/2		16	10	51	32	19	51	12	76	89	94	32	21	61	31	12.7	SUC201-8G	SST204	0.83
SSUCT202-10G	5/8																	SUC202-10G		
SSUCT204G		20																SUC204G		
SSUCT204-12G	3/4																	SUC204-12G		
SSUCT205-14G	7/8		16	10	51	32	19	51	12	76	89	97	32	24	62	34.1	14.3	SUC205-14G	SST205	0.89
SSUCT205-15G	15/16																	SUC205-15G		
SSUCT205G		25																SUC205G		
SSUCT205-16G	1																	SUC205-16G		
SSUCT206-18G	1-1/8		16	10	56	37	22	57	12	89	102	113	37	28	70	38.1	15.9	SUC206-18G	SST206	1.32
SSUCT206-19G	1-3/16																	SUC206-19G		
SSUCT206G		30																SUC206G		
SSUCT206-20G	1-1/4S																	SUC206-20G		
SSUCT207-20G	1-1/4		16	13	64	37	22	64	12	89	102	129	37	30	78	42.9	17.5	SUC207-20G	SST207	1.77
SSUCT207-22G	1-3/8																	SUC207-22G		
SSUCT207G		35																SUC207G		
SSUCT207-23G	1-7/16																	SUC207-23G		
SSUCT208-24G	1-1/2		19	16	83	37	22	83	16	102	114	144	49	33	88	49.2	19	SUC208-24G	SST208	2.58
SSUCT208G		40																SUC208G		
SSUCT209-28G	1-3/4		19	16	83	39	29	83	16	114	117	144	49	35	87	49.2	19	SUC209-28G	SST209	2.66
SSUCT209G		45																SUC209G		
SSUCT210-31G	1-15/16		19	16	83	49	29	86	16	117	117	149	49	37	90	51.6	19	SUC210-31G	SST210	2.77
SSUCT210G		50																SUC210G		
SSUCT210-32G	2																	SUC210-32G		

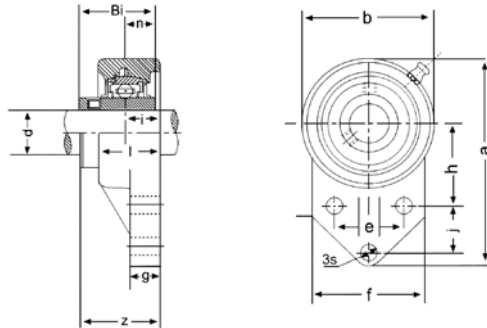
All pictures may differ from the final products. Product availability and specifications are subject to change without notice.



# STAINLESS STEEL MOUNTED BEARING UNITS

## STAINLESS 3-BOLT FLANGE

### SSUCFB200 Series



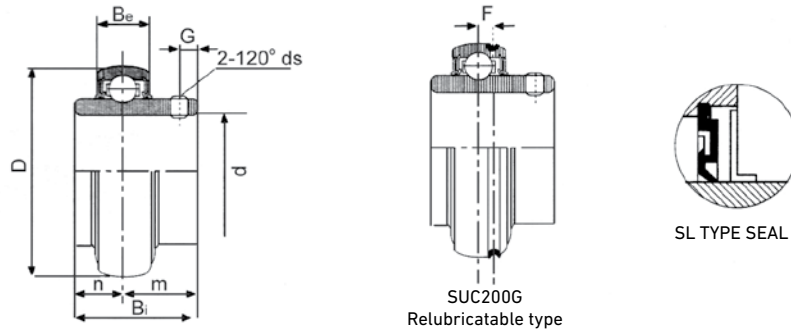
Unit No.	Shaft Dia.		Dimensions (mm)													Bearing No.	Housing No.	Weight kg
	d		a	h	e	j	i	g	l	s	b	f	z	Bi	n			
	(in)	(mm)																
SSUCFB201-8G	1/2		108	42.9	38.1	22.2	15.9	9.5	25.4	10	63.5	60.3	34.2	31	12.7	SUC201-8G	SFB204	0.62
SSUCFB202-10G	5/8															SUC202-10G		
SSUCFB204G		20														SUC204G		
SSUCFB204-12G	3/4															SUC204-12G		
SSUCFB205-14G	7/8		120.7	46	41.6	28.6	16.7	11.1	29.4	10	69.1	63.5	36.5	34.1	14.3	SUC205-14G	SFB205	0.69
SSUCFB205-15G	15/16															SUC205-15G		
SSUCFB205G		25														SUC205G		
SSUCFB205-16G	1															SUC205-16G		
SSUCFB206-18G	1-1/8		136.5	52.4	47.6	31.8	18.7	11.1	33.3	10	82.6	70	40.9	38.1	15.9	SUC206-18G	SFB206	0.93
SSUCFB206-19G	1-3/16															SUC206-19G		
SSUCFB206G		30														SUC206G		
SSUCFB206-20G	1-1/4S															SUC206-20G		
SSUCFB207-20G	1-1/4		155.6	60.3	50.8	31.8	21	14.3	37.3	13	94.5	82.6	46.4	42.9	17.5	SUC207-20G	SFB207	1.3
SSUCFB207-22G	1-3/8															SUC207-22G		
SSUCFB207G		35														SUC207G		
SSUCFB207-23G	1-7/16															SUC207-23G		

All pictures may differ from the final products. Product availability and specifications are subject to change without notice.

## STAINLESS STEEL MOUNTED BEARING UNITS

### INSERTS

#### SUC200 Series



Bearing No.	Shaft Dia.		Dimensions (mm)								Basic Load Ratings (Kn)		Weight kg	
	d		D	Bi	Be	n	m	G	ds		F	Dynamic C		Static Co
	(in)	(mm)							(mm)	(inch)				
SUC201-8G	1/2		47	31	17	12.7	18.3	5	M6-1.0	1/4-28	4.3	9.88	6.20	0.16
SUC202-10G	5/8									1/4-28				
SUC204G		20												
SUC204-12G	3/4									1/4-28				
SUC205G		25	52	34.1	17	14.3	19.8	5.4	M8-1.0	1/4-28	4	10.78	6.98	0.18
SUC205-14G	7/8									1/4-28				
SUC205-15G	1-5/16									1/4-28				
SUC205-16G	1									1/4-28				
SUC206G		30	62	38.1	19	15.9	22.2	5.5	M6-1.0	1/4-28	5.3	14.97	10.04	0.33
SUC206-18G	1-1/8									1/4-28				
SUC206-19G	1-3/16									1/4-28				
SUC206-20G	1-1/4									1/4-28				
SUC207G		35	72	42.9	20	17.5	25.4	6.9	M8-1.0	5/16-24	5.8	19.75	13.67	0.49
SUC207-20G	1-1/4									5/16-24				
SUC207-22G	1-3/8									5/16-24				
SUC207-23G	1-7/16									5/16-24				
SUC208G		40	80	49.2	21	19.0	30.2	8	M8-1.0		6.2	22.71	15.94	0.65
SUC208-24G	1-1/2									5/16-24				
SUC209G		45	85	49.2	22	19.0	30.2	8	M8-1.0		6.5	24.36	17.71	0.71
SUC209-26G	1-5/8									5/16-24				
SUC209-27G	1-11/16									5/16-24				
SUC209-28G	1-3/4									5/16-24				
SUC210G		50	90	51.6	24	19.0	32.6	10	M10-1.25		7	26.98	19.84	0.8
SUC210-31G	1-15/16									3/8-24				
SUC210-32G	2									3/8-24				
SUC211-32G	2		100	55.6	25	22.2	33.4	10		3/8-24	7.4	33.37	25.11	1.08

All pictures may differ from the final products. Product availability and specifications are subject to change without notice.

# THERMOPLASTIC MOUNTED BEARING UNITS

## FEATURES

### NATIONAL Thermoplastic housings

- Are specially designed to meet particular engineering demands for food, beverage and chemical industries.
- Have stainless steel bearing inserts for maximum corrosion resistance.
- Are non-magnetic.
- Are packed with food grade grease.
- Are recommended for these applications:

Frequent washdowns
--------------------

Corrosion resistance
----------------------

Exposure to harsh chemicals
-----------------------------

Exposure to high humidity
---------------------------

Regreasable fittings
----------------------

Operating temperature -35 C to 102 C
--------------------------------------



- Are designed for these industries:

Food processing
-----------------

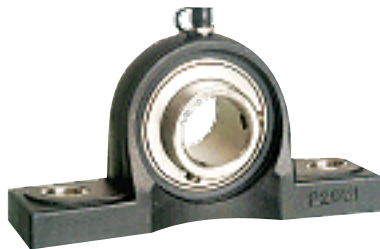
Canning
---------

Bottling
----------

Pharmaceutical industry
-------------------------

Chemical processing
---------------------

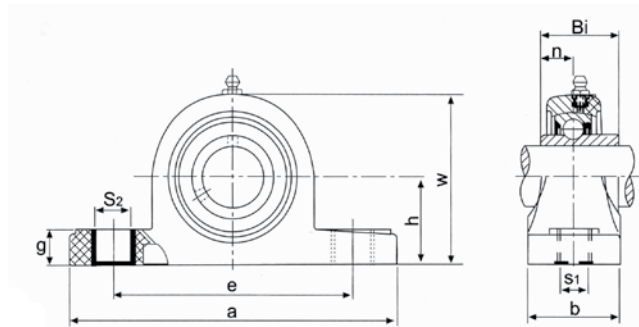
Photo industry...
-------------------



## THERMOPLASTIC MOUNTED BEARING UNITS

### THERMOPLASTIC PILLOW BLOCKS

#### TP-SUCP200 Series



Unit No.	Shaft Dia.		Dimensions (mm)									Bearing No.	Housing No.	Weight kg	
	d		h	a	e	b	S1	S2	w	g	Bi				n
	(in)	(mm)													
TP-SUCP201-8G	1/2		33.3	127	95	38	11	14	14.2	65.5	31	12.7	SUC201-8G	TP-P204	0.32
TP-SUCP202-10G	5/8												SUC202-10G		
TP-SUCP204G		20											SUC204G		
TP-SUCP204-12G	3/4												SUC204-12G		
TP-SUCP205-14G	7/8		36.5	140	105	38	11	14	14.5	71	34.1	14.3	SUC205-14G	TP-P205	0.32
TP-SUCP205-15G	15/16												SUC205-15G		
TP-SUCP205G		25											SUC205G		
TP-SUCP205-16G	1		42.9	162	119	46	14	18	17.8	84	38.1	15.9	SUC205-16G	TP-P206	0.58
TP-SUCP206-18G	1-1/8												SUC206-18G		
TP-SUCP206-19G	1-3/16												SUC206-19G		
TP-SUCP206G		30											SUC206G		
TP-SUCP206-20G	1-1/4S		47.6	168	127	48	14	18	18	94.5	42.9	17.5	SUC206-20G	TP-P207	0.78
TP-SUCP207-20G	1-1/4												SUC207-20G		
TP-SUCP207-22G	1-3/8												SUC207-22G		
TP-SUCP207G		35											SUC207G		
TP-SUCP207-23G	1-7/16		49.2	184	137	54	14	18	19.5	99	49.2	19	SUC207-23G	TP-P208	0.98
TP-SUCP208-24G	1-12												SUC208-24G		
TP-SUCP208G		40											SUC208G		
TP-SUCP209-28G	1-3/4												54		
TP-SUCP209G		45	SUC209G												
TP-SUCP210-31G	1-15/16		57.2	206	159	60	17	20	23	114	51.6	19	SUC210-31G	TP-P210	1.26
TP-SUCP210G		50											SUC210G		
TP-SUCP210-32G	2												SUC210-32G		
TP-SUCP211-32G	2		63.5	217	172	60	17	20	22	122	55.6	22.2	SUC211-32G	TP-211	1.60

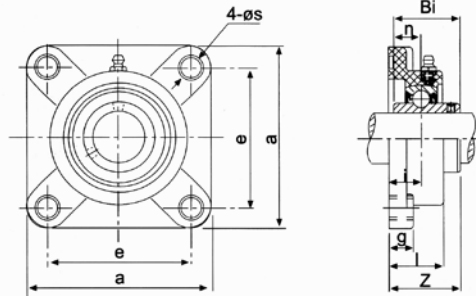
LOAD DIRECTION	BREAKING POINT OF HOUSING (N)						
	204	205	206	207	208	209	210
	10930	11016	11959	12750	13100	13360	13850
	12734	8065	9789	12750	11100	11400	11750
	5610	4630	7816	7500	8500	8950	9550

All pictures may differ from the final products. Product availability and specifications are subject to change without notice.

# THERMOPLASTIC MOUNTED BEARING UNITS

## THERMOPLASTIC 4-BOLT FLANGE

### TP-SUCF200 Series



Unit No.	Shaft Dia.		Dimensions (mm)									Bearing No.	Housing No.	Weight kg
	d		a	e	g	l	s	z	i	Bi	n			
	(in)	(mm)												
TP-SUCF201-8G	1/2		86	63.5	13.4	27.8	11	36.3	18	31	12.7	SUC201-8G	TP-F204	0.3
TP-SUCF202-10G	5/8													
TP-SUCF204G		20												
TP-SUCF204-12G	3/4													
TP-SUCF205-14G	7/8		95	70	14	28	11	36.8	17	34.1	14.3	SUC205-14G	TP-F205	0.31
TP-SUCF205-15G	15/16													
TP-SUCF205G		25												
TP-SUCF205-16G	1													
TP-SUCF206-18G	1-1/8		107	83	14.3	31.5	11	41.2	19	38.1	15.9	SUC206-18G	TP-F206	0.53
TP-SUCF206-19G	1-3/16													
TP-SUCF206G		30												
TP-SUCF206-20G	1-1/4S													
TP-SUCF207-20G	1-1/4		118	92	15.5	34.8	13	46.9	21.5	42.9	17.5	SUC207-20G	TP-F207	0.74
TP-SUCF207-22G	1-3/8													
TP-SUCF207G		35												
TP-SUCF207-23G	1-7/16													
TP-SUCF208-24G	1-1/2		130	102	17	37.5	14	53.2	23	49.2	19	SUC208-24G	TP-F208	0.98
TP-SUCF208G		40												
TP-SUCF209-28G	1-3/4		137	105	19	41	17	54.2	24	49.2	19	SUC209-28G	TP-F209	1.11
TP-SUCF209G		45												
TP-SUCF210-31G	1-15/16		143	111	21	43	17	57.6	25	51.6	19	SUC210-31G	TP-F210	1.25
TP-SUCF210G		50												
TP-SUCF210-32G	2													
TP-SUCF211-32G	2		162	130	19	43	17	58.4	25	55.6	22.2	SUC211-32G	TP-F211	1.68

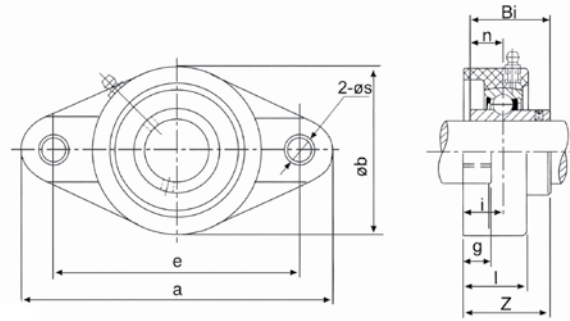
LOAD DIRECTION	BREAKING POINT OF HOUSING (N)						
	204	205	206	207	208	209	210
	26843	32628	37259	4078	4215	4357	4561
	25889	20111	19030	4159	4328	4531	4632
	4670	6596	8059	791	852	901	960

All pictures may differ from the final products. Product availability and specifications are subject to change without notice.

## THERMOPLASTIC MOUNTED BEARING UNITS

### THERMOPLASTIC 2-BOLT FLANGE

#### TP-SUCFL200 Series



Unit No.	Shaft Dia.		Dimensions (mm)									Bearing No.	Housing No.	Weight kg	
	d		a	e	b	g	l	s	z	i	Bi				n
	(in)	(mm)													
TP-SUCFL201-8G	1/2		113	90	65	11.4	26.5	11	33.7	15.4	31	12.7	SUC201-8G	TP-FL204	0.24
TP-SUCFL202-10G	5/8														
TP-SUCFL204G		20													
TP-SUCFL204-12G	3/4														
TP-SUCFL205-14G	7/8		131	99	69.5	13.5	29.1	11	36.7	17	34.1	14.3	SUC205-14G	TP-FL205	0.29
TP-SUCFL205-15G	15/16														
TP-SUCFL205G		25													
TP-SUCFL206-18G	1-1/8		148	117	80	13.3	30.5	11	41.2	19	38.1	15.9	SUC206-18G	TP-FL206	0.47
TP-SUCFL206-19G	1-3/16														
TP-SUCFL206G		30													
TP-SUCFL206-20G	1-1/4S														
TP-SUCFL207-20G	1-1/4		164	130	90	16.1	32.8	13	43.4	18	42.9	17.5	SUC207-20G	TP-FL207	0.71
TP-SUCFL207-22G	1-3/8														
TP-SUCFL207G		35													
TP-SUCFL207-23G	1-7/16														
TP-SUCFL208-24G	1-1/2		176	144	100	20	37.5	14	51.7	21.5	49.2	19	SUC208-24G	TP-FL208	0.91
TP-SUCFL208G		40													
TP-SUCFL209-28G	1-3/4		188.5	148.5	106	21	41	17	54.2	24	42.9	19	SUC209-28G	TP-FL209	1.04
TP-SUCFL209G		45													
TP-SUCFL210-31G	1-15/16		197	157	115	21	43	17	57.6	25	51.6	19	SUC210-31G	TP-FL210	1.17
TP-SUCFL210G		50													
TP-SUCFL210-32G	2														
TP-SUCFL211-32G	2		224	184	130	18	43	17	58.4	25.0	55.6	22.2	SUC211-32G	TP-FL211	1.50

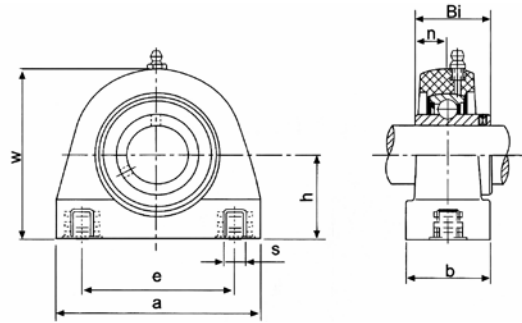
LOAD DIRECTION	BREAKING POINT OF HOUSING (N)						
	204	205	206	207	208	209	210
	10872	12554	18224	16900	17213	17600	17950
	10590	15093	16826	14900	15150	15350	15650
	6584	5314	5633	6000	6510	6940	7590

All pictures may differ from the final products. Product availability and specifications are subject to change without notice.

# THERMOPLASTIC MOUNTED BEARING UNITS

## THERMOPLASTIC TAPPED BASE

### TP-SUCTB200 Series



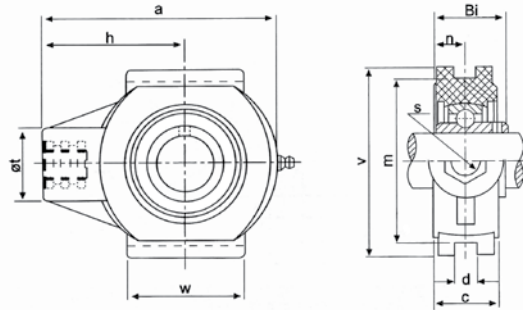
Unit No.	Shaft Dia.		Dimensions (mm)							Bearing No.	Housing No.	Weight kg	
	d		h	b	w	e	a	s	Bi				n
	(in)	(mm)											
TP-SUCTB201-8G	1/2		33.3	34.5	66	50.8	73	3/8-16	31	12.7	SUC201-8G	TP-TB204	0.27
TP-SUCTB202-10G	5/8										SUC202-10G		
TP-SUCTB204G		20									SUC204G		
TP-SUCTB204-12G	3/4										SUC204-12G		
TP-SUCTB205-14G	7/8		36.5	39.7	73.4	50.8	76.2	3/8-16	34.1	14.3	SUC205-14G	TP-TB205	0.3
TP-SUCTB205-15G	15/16										SUC205-15G		
TP-SUCTB205G		25									SUC205G		
TP-SUCTB205-16G	1										SUC205-16G		
TP-SUCTB206-18G	1-1/8		42.9	42.5	84	76.2	101.6	7/16-14	38.1	15.9	SUC206-18G	TP-TB206	0.52
TP-SUCTB206-19G	1-3/16										SUC206-19G		
TP-SUCTB206G		30									SUC206G		
TP-SUCTB206-20G	1-1/4S										SUC206-20G		
TP-SUCTB207-20G	1-1/4		47.6	47.6	95	82.6	111	1/2-13	42.9	17.5	SUC207-20G	TP-TB207	0.71
TP-SUCTB207-22G	1-3/8										SUC207-22G		
TP-SUCTB207G		35									SUC207G		
TP-SUCTB207-23G	1-7/16										SUC207-23G		
TP-SUCTB208-24G	1-1/2		49.2	47.6	100.4	88.9	120	1/2-13	49.2	19	SUC208-24G	TP-TB208	0.9
TP-SUCTB208G		40									SUC208G		
TP-SUCTB209-28G	1-3/4		54	50	108.5	95.3	124	1/2-13	42.9	19	SUC209-28G	TP-TB209	1.04
TP-SUCTB209G		45									SUC209G		
TP-SUCTB210-31G	1-15/16		57.2	54	115	101.6	135	5/8-11	51.6	19	SUC210-31G	TP-TB210	1.23
TP-SUCTB210G		50									SUC210G		
TP-SUCTB210-32G	2										SUC210-32G		

All pictures may differ from the final products. Product availability and specifications are subject to change without notice.

## THERMOPLASTIC MOUNTED BEARING UNITS

### THERMOPLASTIC TAKE-UP

#### TP-SUCT200 Series



Unit No.	Shaft Dia.		Dimensions (mm)										Bearing No.	Housing No.	Weight kg	
	d		a	c	d	h	m	s	t	v	w	Bi				n
	(in)	(mm)														
TP-SUCT201-8G	1/2		99	27.5	12	64	76	M16	36	88	47	31	12.7	SUC201-8G	TP-T204	0.32
TP-SUCT202-10G	5/8															
TP-SUCT204G		20														
TP-SUCT204-12G	3/4															
TP-SUCT205-14G	7/8		99	27.5	12	64	76	M16	36	88	47	34.1	14.3	SUC205-14G	TP-T205	0.32
TP-SUCT205-15G	15/16															
TP-SUCT205G		25														
TP-SUCT205-16G	1															
TP-SUCT206-18G	1-1/8		125	34.5	12	76	89	M16	40	101.4	63	38.1	15.9	SUC206-18G	TP-T206	0.59
TP-SUCT206-19G	1-3/16															
TP-SUCT206G		30														
TP-SUCT206-20G	1-1/4S															
TP-SUCT207-20G	1-1/4		125	34.5	12	76	89	M16	40	101.4	63	42.9	17.5	SUC207-20G	TP-T207	0.73
TP-SUCT207-22G	1-3/8															
TP-SUCT207G		35														
TP-SUCT207-23G	1-7/16															
TP-SUCT208-24G	1-12		140	34.5	16	85	102	M16	40	113.6	80	49.2	19	SUC208-24G	TP-T208	0.96
TP-SUCT208G		40														
TP-SUCT209-28G	1-3/4		149	40	16	90	102	M20	50	117	85	49.2	19	SUC209-28G	TP-T209	1.12
TP-SUCT209G		45														
TP-SUCT210-31G	1-15/16		149	40	16	90	102	M20	50	117	85	51.6	19	SUC210-31G	TP-T210	1.18
TP-SUCT210G		50														
TP-SUCT210-32G	2															

LOAD DIRECTION	BREAKING POINT OF HOUSING (N)						
	204	205	206	207	208	209	210
	14800	15500	15800	16500	17300	18210	18860
	3930	4530	5100	6500	7800	8710	9750
	8500	10350	10900	11300	12150	12900	13550
	40770	45300	46100	44100	42800	44230	44880

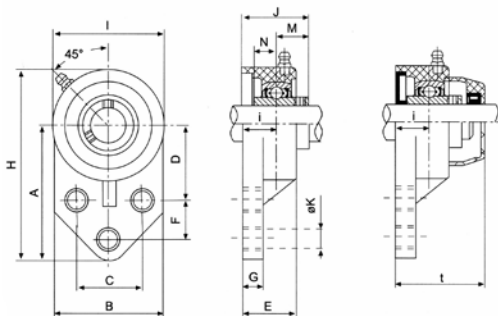
All pictures may differ from the final products. Product availability and specifications are subject to change without notice.



# THERMOPLASTIC MOUNTED BEARING UNITS

## THERMOPLASTIC 3-BOLT FLANGE

### TP-SUCFB200 Series



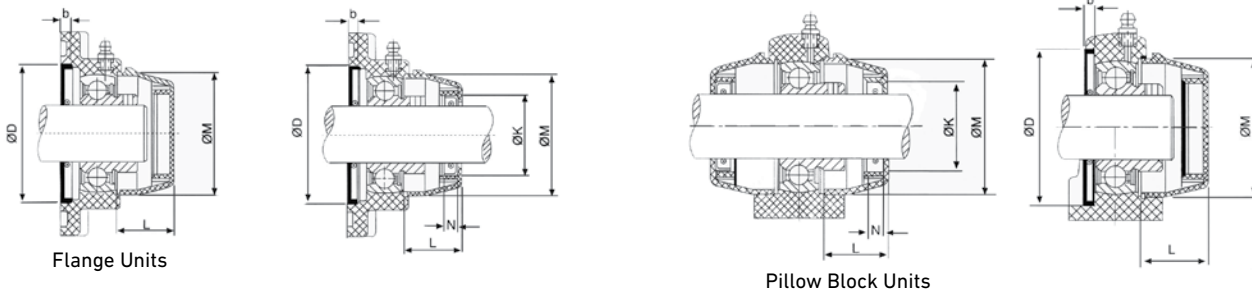
Unit No.	Shaft Dia.		Dimensions (mm)													Bearing No.	Housing No.	Weight kg
	d (in)	d (mm)	A	B	C	D	E	F	G	H	I	J	K	M	N			
			TP-SUCFB201-8G	1/2														
TP-SUCFB202-10G	5/8		76.2	62	38.1	42.9	31.2	22.2	11.4	108	63.5	38	10.7	18.3	12.7	SUC202-10G		
TP-SUCFB204G		20														SUC204G		
TP-SUCFB204-12G	3/4															SUC204-12G		
TP-SUCFB205-14G	7/8															SUC205-14G	TP-FB205	0.3
TP-SUCFB205-15G	15/16		85.7	63.5	41.3	46	32.8	28.6	11.4	120.6	70	41.1	10.7	19.8	14.3	SUC205-15G		
TP-SUCFB205G		25														SUC205G		
TP-SUCFB205-16G	1															SUC205-16G		
TP-SUCFB206-18G	1-1/8															SUC206-18G	TP-FB206	0.46
TP-SUCFB206-19G	1-3/16		96.5	76	47.6	52.4	35.4	31.8	13.3	138.5	83	47.6	10.7	22.2	15.9	SUC206-19G		
TP-SUCFB206G		30														SUC206G		
TP-SUCFB206-20G	1-1/4S															SUC206-20G		
TP-SUCFB207-20G	1-1/4															SUC207-20G	TP-FB207	0.66
TP-SUCFB207-22G	1-3/8		109.5	89	50.8	60.3	37.5	31.8	16.1	157	95	50.8	13.1	25.4	17.5	SUC207-22G		
TP-SUCFB207G		35														SUC207G		
TP-SUCFB207-23G	1-7/16															SUC207-23G		
TP-SUCFB208-24G	1-12															SUC208-24G	TP-FB208	0.9
TP-SUCFB208G		40	126.5	99	54	67.3	39.5	35.5	18.5	178	103	54	13.1	30.2	19	SUC208G		

LOAD DIRECTION	BREAKING POINT OF HOUSING (N)			
	204	205	206	207
	7200	9100	12200	12900
	9200	11100	11800	11900
	2600	2800	2900	3100

All pictures may differ from the final products. Product availability and specifications are subject to change without notice.

## THERMOPLASTIC MOUNTED BEARING UNITS

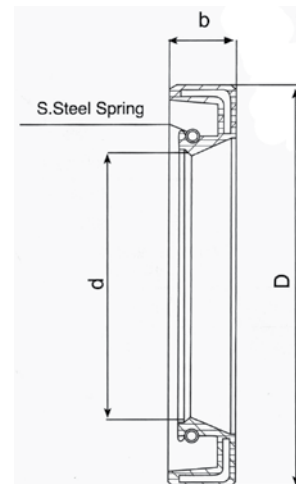
### PLASTIC COVERS: OPEN/CLOSE TYPE (OC/CC)



Shaft Diameter		Dimensions (mm)					
mm	inch	K	N	L	M	D	b
12	1/2	32	7	23	50	52	6
15	9/16, 5/8	32	7	23	50	52	6
17	11/16	32	7	23	50	52	6
20	3/4	32	7	23	50	52	6
25	13/16, 7/8, 15/16, 1	37	7	25	55	62	6
30	1 1/16, 1 1/8, 1 3/16, 1 1/4	42	7	30	64	72	6
35	1 1/4, 1 15/16, 1 3/8, 1 7/16	47	7	32	74.5	82	6
40	1 1/2, 1 9/16	52	7	37	84	88	6
45	1 5/8, 1 11/16, 1 3/4	57	7	41	89	93	6
50	1 13/16, 1 7/8, 1 15/16, 2	62	7	47	94	98	6

### PLASTIC COVERS: OPEN/CLOSE TYPE (OC/CC)

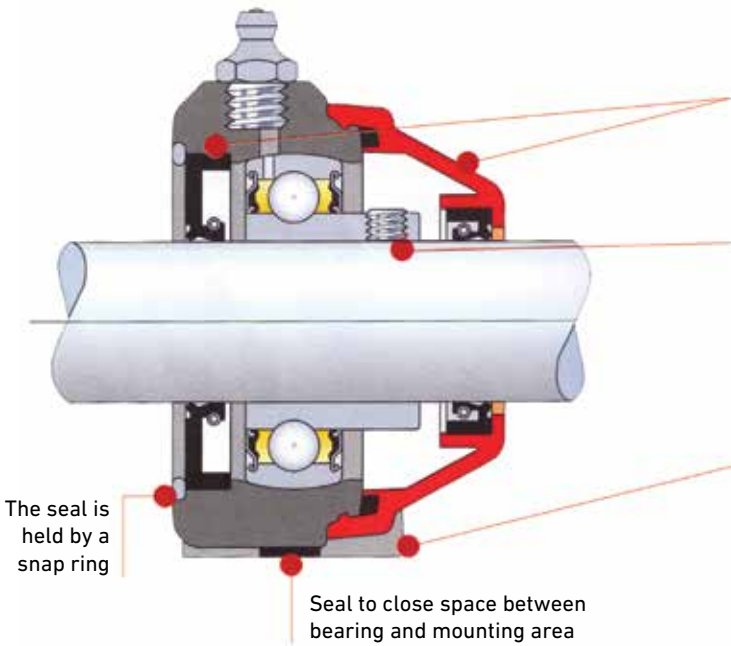
Size	P - T - TB			F - FL - FB		
	d	b	D	d	b	D
BS204	20	3	52	20	6	52
BS205	25	3	56	25	6	62
BS206	30	3	66	30	6	72
BS207	35	3	76	35	6	82
BS208	40	3	86	40	6	88
BS209	45	3	90	45	6	93
BS210	50	3	96	50	6	98



All pictures may differ from the final products. Product availability and specifications are subject to change without notice.

# THERMOPLASTIC BEARING UNITS WATERPROOF SERIES

## WATERPROOF HOUSING



**Waterproof housing**  
The waterproof sealing system protects the bearing from the external environment.

**Special Characteristics**  
Corrosion resistant to food & liquid contaminants, frequent wash-downs.  
Light weight housing.

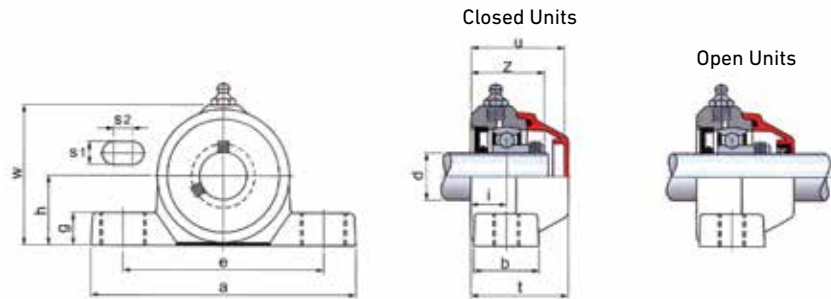
**Insert Bearings**  
Assembled with chrome steel or stainless steel insert bearings to meet your particular budget and performance needs.

All pictures may differ from the final products. Product availability and specifications are subject to change without notice.

## THERMOPLASTIC BEARING UNITS WATERPROOF SERIES

### WATERPROOF PILLOW BLOCKS

#### WP-SSBP200G Series



Unit No.	Shaft Dia.	Dimensions (mm)												Weight kg
	d	a	e	h	w	S1	S2	g	b	i	Z	u	t	
	(in)													
WP-SSBP204-12G	3/4	128	96	33.3	66.3	10	12	17	30	18.9	36.8	47.7	49.7	0.26
WP-SSBP204G	20mm													
WP-SSBP205-14G	7/8	140	106	36.5	74.3	10	12	17	34	18.8	37	49.5	51.5	0.33
WP-SSBP205-15G	15/16													
WP-SSBP205G	25mm													
WP-SSBP205-16G	1													
WP-SSBP206-18G	1-1/8	163	121	42.9	89.5	10	14	22	36	19.7	42	53	55	0.49
WP-SSBP206G	30mm													
WP-SSBP206-19G	1-3/16													
WP-SSBP206-20G	1-1/4S													
WP-SSBP207-20G	1-1/4	167	126	47.6	98	10	14	20	38.6	21.3	46.7	59	61	0.64
WP-SSBP207G	35mm													
WP-SSBP207-22G	1-3/8													
WP-SSBP207-23G	1-7/16													
WP-SSBP208-24G	1 1/2	185	136	50	102	14	10	20	38.6	25	50.3	64.5	66.5	0.86
WP-SSBP208G	40mm													

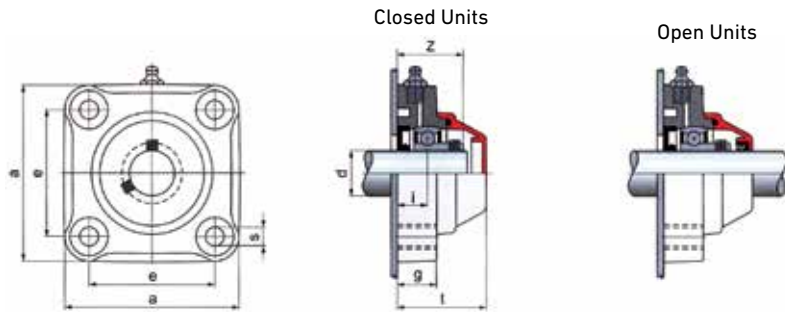
LOAD DIRECTION	BREAKING POINT OF HOUSING (N)				
	204	205	206	207	208
	6473	6290	5775	5817	6913
	6671	6681	6761	6811	6911
	2569	2621	2650	2790	3291

All pictures may differ from the final products. Product availability and specifications are subject to change without notice.

# THERMOPLASTIC BEARING UNITS WATERPROOF SERIES

## WATERPROOF 4-BOLT FLANGE

### WP-SSBF200G Series



Unit No.	Shaft Dia.	Dimensions (mm)							Weight kg
	d (in)	a	e	S	g	l	Z	t	
WP-SSBF204-12G	3/4	86	63.5	11	20	15	33.3	46	0.36
WP-SSBF204G	20mm								
WP-SSBF205-14G	7/8	98	70	11	22.5	16.8	36.6	49.5	0.38
WP-SSBF205-15G	15/16								
WP-SSBF205G	25mm								
WP-SSBF205-16G	1	110	83	11	26	20	42.2	55	0.56
WP-SSBF206-18G	1-1/8								
WP-SSBF206-19G	1-3/16								
WP-SSBF206G	30mm								
WP-SSBF206-20G	1-1/4S	120	92	11	26	19.5	44.9	59	0.77
WP-SSBF207-20G	1-1/4								
WP-SSBF207-22G	1-3/8								
WP-SSBF207G	35mm								
WP-SSBF207-23G	1-7/16	131	102	11	30	22	52.2	65.5	0.99
WP-SSBF208-24G	1 1/2								
WP-SSBF208G	40mm								

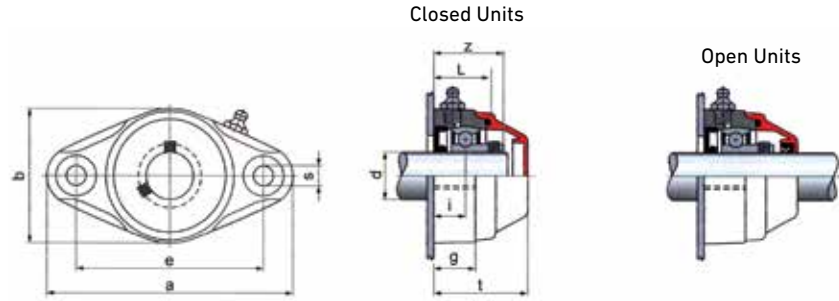
LOAD DIRECTION	BREAKING POINT OF HOUSING (N)				
	204	205	206	207	208
	17091	20142	20932	21690	22707
	8820	10350	16020	16560	16740
	2533	3329	3922	4100	4230

All pictures may differ from the final products. Product availability and specifications are subject to change without notice.

## THERMOPLASTIC BEARING UNITS WATERPROOF SERIES

### WATERPROOF 2-BOLT FLANGE

#### WP-SSBFL200G Series



Unit No.	Shaft Dia.	Dimensions (mm)									Weight kg
	d	a	e	b	s	g	L	i	Z	t	
	(in)										
WP-SSBFL204-12G	3/4	117	90	62	11	20	25	15.2	33.5	46	0.25
WP-SSBFL204G	20mm										
WP-SSBFL205-14G	7/8	131	99	71	11	22.5	27.5	16.8	36.3	49.5	0.33
WP-SSBFL205-15G	15/16										
WP-SSBFL205G	25mm										
WP-SSBFL205-16G	1	149	118	85	11	26	31.5	20	41	55	0.42
WP-SSBFL206-18G	1-1/8										
WP-SSBFL206G	30mm										
WP-SSBFL206-19G	1-3/16										
WP-SSBFL206-20G	1-1/4S	163	130	93	11	26	32	19.5	45	59	0.66
WP-SSBFL207-20G	1-1/4										
WP-SSBFL207G	35mm										
WP-SSBFL207-22G	1-3/8										
WP-SSBFL207-23G	1-7/16	177	144	102	11	30	36	23	52	65.5	0.92
WP-SSBFL208-24G	1-1/2										
WP-SSBFL208G	40mm										

LOAD DIRECTION	BREAKING POINT OF HOUSING (N)				
	204	205	206	207	208
	8756	8943	10132	10234	14000
	8733	15811	15823	16211	16233
	2384	3876	4001	4501	5079

All pictures may differ from the final products. Product availability and specifications are subject to change without notice.

## NATIONAL PRODUCTS LIMITED WARRANTY

**WARRANTY OFFERED BY:** This warranty (the “**Warranty**”) applies to all goods, materials, parts and products sold under the NATIONAL brand name or trademark (“**NATIONAL Products**”) by Wajax Industrial Components Limited Partnership or any of its affiliates or related entities (each a “**Wajax Entity**”); the specific Wajax Entity bound by this Warranty (“**Wajax**”) will be the Wajax Entity which is a party to the relevant contract or order with the customer (“**Customer**”) pursuant to which such NATIONAL Products are sold.

**DEFECTS WARRANTED - NATIONAL PRODUCTS:** Subject to the provisions set out in this Warranty document, Wajax warrants that NATIONAL Products are of good workmanship, free of defects in manufacture and material, and conform to Wajax’s specifications as expressly set out in the relevant contract or purchase order, subject to Wajax’s standard tolerances for specifications. If Wajax determines in its sole discretion that any NATIONAL Product (or part thereof) fails to conform with such warranty during the applicable warranty period, and that the terms and conditions of this Warranty have been fully satisfied, then Wajax (in its sole discretion) shall promptly repair or replace such NATIONAL Product (or part thereof) at Wajax’s expense and deliver the same FCA Wajax facilities, or refund the purchase price thereof. The obligations of Wajax under this Warranty shall be strictly limited to repair or replacement of any NATIONAL Product which in Wajax’s sole opinion is defective at the time of delivery of such NATIONAL Product to the Customer, or refund of the purchase price thereof. This Warranty shall apply only to NATIONAL Products sold by Wajax which have been paid for by the Customer. If Wajax elects to repair the NATIONAL Product subject to the warranty claim, the Customer shall be responsible for the removal and transportation thereof to Wajax’s designated facility, provided that if the Customer requests that the repair be done at the Customer’s site, then the Customer will be responsible for the removal thereof and Wajax will only cover the repair time spent on the site. All other expenses will be borne by the Customer. Any required repair shall be performed during Wajax’s normal business hours and if repair is required outside of normal business hours then overtime rates shall apply and the Customer shall pay Wajax’s cost differential for the same. This Warranty is subject to the limitations, warranty period, exclusions and other terms and conditions set out herein. Wajax shall warrant any repaired or replaced parts until the expiration of the original Warranty period.

**WARRANTY PERIOD:** This Warranty shall be restricted to defects in NATIONAL Products present at the time of delivery thereof to the Customer which become manifest during the period of twelve (12) months after the date of delivery of such NATIONAL Products to the Customer. Such period shall: (i) be as stated herein unless otherwise stated in the contract between Wajax and the Customer; and (ii) not be extended by the performance of any subsequent repairs or other remedial work.

**WARRANTY EXCLUSIONS:** This Warranty shall not cover, and Wajax shall not be liable under this Warranty for any damages, costs or expenses of the Customer or of any third party caused or contributed to in whole or in part by, or any defects caused by or related to:

- Any labour not performed by Wajax or defects or faults occurring or emanating as a result of the same.
- Any event or circumstance which arises through no fault of Wajax including, without limitation, disaster, force majeure, accidents, abuse, neglect, chemical, electro-chemical or electrical influences, any form of overload of any NATIONAL Product or any abnormal physical stress or environmental conditions.
- Any incorrect, improper or inadequate installation, assembly, use, storage, inspection, maintenance, handling, removal or transportation of any NATIONAL Product according to all recommendations and instructions of Wajax regarding the NATIONAL Product, and all standard industry practices.
- Any failure of the Customer to comply with all recommendations and instructions of Wajax regarding any NATIONAL Product including, without limitation, any failure of the Customer to service or maintain the NATIONAL Product or any part or component thereof in accordance with the recommended service/maintenance intervals and procedures specified by Wajax, or any use of fuels, oils, additives or any other consumable of a standard not compatible with any such recommended specifications.
- Any acts or omissions of the Customer including, without limitation, any specifications, instructions or designs specified or provided by or on behalf of the Customer.
- Normal wear and tear, or parts that, owing to their inherent material properties or their specified use, are subject to premature wear.
- Any materials or substances being processed by, or by the entry of materials or substances into, any NATIONAL Products including, without limitation debris, moisture, dust, grease or other contamination.

**WARRANTY INVALIDITY:** The Customer’s failure to observe and perform any of the following shall automatically invalidate this Warranty with respect to a NATIONAL Product:

- The Customer must comply with all requirements set out in this Warranty and any applicable contract or purchase order (and related terms and conditions) with respect to such NATIONAL Product.
- Such NATIONAL Product must be installed, assembled, handled, stored, used, operated, inspected, maintained, removed and transported in a proper and prudent manner in accordance with the recommendations and instructions of Wajax, standard industry practices, and all applicable laws.
- In the event of any incident or event giving rise to, or likely to give rise to, a claim under this Warranty, the Customer must take precautions to prevent further damage to such NATIONAL Product. Wajax shall not be liable for any further damage to such NATIONAL Product until it has been repaired to the satisfaction of Wajax.

This Warranty shall be void if the Customer:

- Has willfully concealed or misrepresented any material fact or circumstance concerning this Warranty or such NATIONAL Product (whether before or after a loss), or in case of any fraud or false statement by the Customer relating thereto.
- Transfers title of such NATIONAL Product to a third party, or lends, leases, rents or otherwise releases possession of same, in any manner whatsoever, or becomes bankrupt or placed in receivership such that such NATIONAL Product is seized or taken by a creditor or a third party claiming rights, title or ownership in such NATIONAL Product.
- Causes or permits any reconstruction, repair, alteration or modification of such NATIONAL Product to be made by any person not authorized by Wajax, or if any parts or components not supplied by Wajax are used in connection with any of the foregoing.

**NOTICE OF WARRANTY CLAIMS:** To be effective, a claim under this Warranty must be: (i) made in writing during the applicable warranty period; (ii) sent to Wajax at the Wajax branch where the NATIONAL Product was purchased; and (iii) received by Wajax within ten (10) days of the Customer’s discovery of the defect.

**ADDITIONAL LIMITATIONS:** No suit or action on this Warranty for the recovery of any claim may be sustained in any court of law or equity unless the Customer has complied with all the requirements of this Warranty and unless such suit or action is commenced within three (3) months from the date on which the Customer originally made such claim under this Warranty.

WAJAX’S TOTAL LIABILITY UNDER THIS WARRANTY WITH RESPECT TO ANY NATIONAL PRODUCT, WHETHER THROUGH REPAIR OR REPLACEMENT OF THE NATIONAL PRODUCT OR REFUND OF THE PURCHASE PRICE THEREOF, IS LIMITED TO THE AMOUNT OF THE PURCHASE PRICE ACTUALLY RECEIVED BY WAJAX FROM THE CUSTOMER FOR THE DEFECTIVE NATIONAL PRODUCT. Except for the repair, replacement or refund obligation as expressly provided herein, Wajax shall not be liable for any damages, losses, costs or expenses suffered by the Customer or any other third party of any nature or kind including, without limitation, any direct, indirect, consequential or incidental damages or loss of any kind for any reason, including down-time, loss of revenue or profits, loss of production, loss or diminution of value of property, loss of use of property or facilities, loss of economic opportunity or loss of life or injury by the Customer or any other party whether or not caused by the defective NATIONAL Product or the removal thereof. The remedies set out herein are the Customer’s sole remedies, and are Wajax’s only obligations (whether based on breach of contract, warranty, indemnity or statutory duty or in tort or otherwise), arising out of or in connection with defective or deficient NATIONAL Products.

The Warranty set out herein is the only warranty applicable to the NATIONAL Products. WAJAX EXPRESSLY DISCLAIMS, TO THE MAXIMUM EXTENT PERMITTED BY APPLICABLE LAWS, ANY AND ALL OTHER REPRESENTATIONS, WARRANTIES, COVENANTS, CONDITIONS, GUARANTEES OR SIMILAR OBLIGATIONS, WHETHER EXPRESS OR IMPLIED BY FACT, BY LAW (INCLUDING ANY STATUTE OR REGULATION), BY CUSTOM OR TRADE USAGE OR BY ANY COURSE OF DEALING, INCLUDING, WITHOUT LIMITATION, ANY IMPLIED WARRANTIES OF QUALITY, MERCHANTABILITY, FITNESS FOR PURPOSE AND FITNESS FOR A PARTICULAR PURPOSE, NON-INFRINGEMENT OR OTHERWISE, ALL OF WHICH ARE EXCLUDED AND ARE INAPPLICABLE.

**GOVERNING LAW:** This Warranty is governed by the laws of the Province of Ontario.

# NATIONAL

## BEARINGS+POWER TRANSMISSION PRODUCTS

The National Bearings and Power Transmission product line by Wajax, provides you access to a wide range of high quality components for your MRO and OEM requirements which are produced in ISO9001 and QS9001 certified facilities to our Wajax Engineering standards.

**Our wide range of products include;**

- » Ball bearings, tapered roller, spherical plain, ball bearing inserts and agricultural bearings
- » Mounted units, corrosion resistant, thermoplastic, stainless steel and waterproof
- » Roller chains, leaf chains and conveyor chains
- » Sprockets, sheaves, shaft collars, couplings and bushings
- » Custom manufacturing to meet your MRO / OEM needs

Available from our network of over 100 locations across Canada, our National brand serves a wide range of industries and applications – making your operations more productive. From Material Handling, Food and Beverage, Forestry, Agricultural, Mining, Aggregate to general processing and production – National has the products to meet your needs.



1-877-469-2529