

# **NATIONAL**

**BEARINGS+POWER TRANSMISSION PRODUCTS**



[ntl-bpt.com](http://ntl-bpt.com)

## **Weld On & Idler Sprockets**

1-877-469-2529

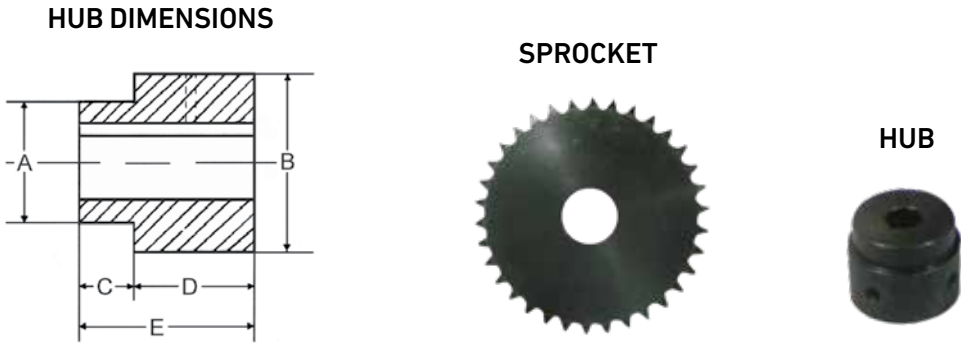


# WELD SPROCKET

## WELD SPROCKETS AND HUBS

- Round bore with keyway and two set screws.
- Induction hardened teeth.
- Pick the plate sprocket and finish bore hub you need.
- By welding, you make a B type finished bore sprocket.
- It's economic and saves time.
- Enables a reduced inventory as opposed to carrying finished bore sprockets.

	HUB SERIES			
	V	W	X	Y
A	1-1/8	1-5/8	2	2-3/4
B	1-7/16	1-13/16	2-1/2	3-3/4
C	7/16	7/16	7/16	11/16
D	3/4	1	1	1-3/16
E	1-3/16	1-7/16	1-7/16	1-7/8

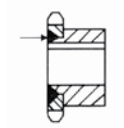


All pictures may differ from the final products. Product availability and specifications are subject to change without notice.

## WELD SPROCKET

### WELD SPROCKETS (ANSI)

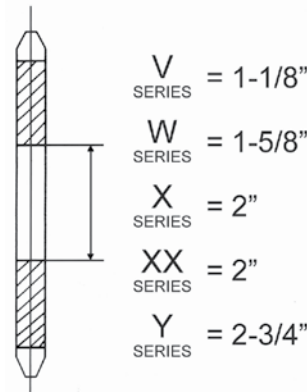
The smaller sprockets are to be welded as shown as the weld will not interfere with the chain.



The larger sprockets are to be welded as shown.



All hardened teeth



NO. OF TEETH	ANSI-35	ANSI-40	ANSI-50	ANSI-60	ANSI-80
	PITCH				
	3/8"	1/2"	5/8"	3/4"	1"
9				H60V9	H80W9
10			H50V10	H60V10	H80W10
11			H50V11	H60V11	H80W11
12		H40V12	H50W12	H60W12	H80X12
13		H40V13	H50W13	H60W13	H80X13
14		H40V14	H50W14	H60W14	H80X14
15	H35V15	H40V15	H50W15	H60W15	H80X15
16	H35V16	H40W16	H50W16	H60X16	H80X16
17	H35V17	H40W17	H50X17	H60X17	H80X17
18	H35V18	H40W18	H50X18	H60X18	H80X18
19	H35V19	H40W19	H50X19	H60X19	H80X19
20	H35V20	H40X20	H50X20	H60X20	H80X20
21	H35V21	H40X21	H50X21	H60X21	H80X21
22	H35W22	H40X22	H50X22	H60X22	H80X22
23	H35W23	H40X23	H50X23	H60X23	H80X23
24	H35W24	H40X24	H50X24	H60X24	H80X24

All pictures may differ from the final products. Product availability and specifications are subject to change without notice.

# WELD SPROCKET

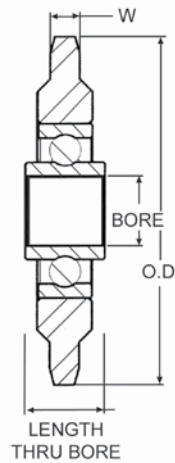
## WELD SPROCKETS (ANSI) (CONT'D)

NO. OF TEETH	ANSI-35	ANSI-40	ANSI-50	ANSI-60	ANSI-80
	PITCH				
	3/8"	1/2"	5/8"	3/4"	1"
25	H35W25	H40X25	H50X25	H60X25	H80X25
26	H35W26	H40X26	H50X26	H60X26	H80X26
27	H35W27	H40X27	H50X27	H60X27	H80X27
28	H35W28	H40X28	H50X28	H60X28	H80X28
29	H35W29	H40X29	H50X29	H60X29	H80X29
30	H35W30	H40X30	H50X30	H60X30	H80X30
31	H35W31	H40X31	H50X31	H60X31	
32	H35W32	H40X32	H50X32	H60X32	H80X32
33	H35W33	H40X33	H50X33	H60X33	H80X33
34	H35W34	H40X34	H50X34	H60X34	H80X34
35	H35W35	H40X35	H50X35	H60X35	H80X35
36	H35W36	H40X36	H50X36	H60X36	H80X36
37	H35W37	H40X37	H50X37	H60X37	
38	H35W38	H40X38	H50X38	H60X38	
39	H35W39	H40X39	H50X39	H60X39	
40	H35W40	H40X40	H50X40	H60X40	H80X40
42	H35W42	H40X42	H50X42	H60X42	
43	H35W43	H40X43	H50X43	H60X43	
44	H35W44	H40X44	H50X44	H60X44	
45	H35W45	H40X45	H50X45	H60X45	H80X45
48	H35W48	H40X48	H50X48	H60X48	H80X48
50	H35W50	H40X50	H50X50	H60X50	
54	H35W54	H40X54	H50X54	H60X54	H80X54
60	H35W60	H40X60	H50X60	H60X60	H80X60
70	H35W70	H40X70	H50X70	H60X70	
72	H35W72	H40X72	H50X72	H60X72	
80	H35W80	H40X80	H50X80	H60X80	
84	H35W84	H40X84	H50X84	H60X84	
96	H35W96		H50X96	H60X96	

All pictures may differ from the final products. Product availability and specifications are subject to change without notice.

## IDLER SPROCKET

### IDLER SPROCKETS BALL BEARING TYPE



### Ball Bearing Idler Sprocket - Hardened Teeth

NO. TEETH	PART NUMBER	CHAIN SIZE	OD	BORE	LENGTH THRU BORE	W	WT. LBS	BEARING
18	35BB18H 1/2	35	2.35	0.510	0.72	0.168	0.35	203KRR5
19	35BB19H 1/2	35	2.47	0.510	0.72	0.168	0.35	203KRR5
20	35BB20H 5/8	35	2.59	0.638	0.72	0.168	0.38	203KRR2
17	40BB17H 5/8	40	2.97	0.638	0.72	0.284	0.52	203KRR2
17	40BB17H 1/2	40	2.97	0.510	0.72	0.284	0.52	203KRR5
18	40BB18H 1/2	40	3.14	0.510	0.72	0.284	0.53	203KRR5
18	40BB18H 5/8	40	3.14	0.638	0.72	0.284	0.53	203KRR2
15	50BB15H 5/8	50	3.32	0.638	0.72	0.343	0.75	203KRR2
17	50BB17H 5/8	50	3.72	0.638	0.72	0.343	0.78	203KRR2
17	50BB17H 1/2	50	3.72	0.510	0.72	0.343	0.78	203KRR5
13	60BB13H 5/8	60	3.49	0.638	0.72	0.459	0.76	203KRR2
15	60BB15H 5/8	60	3.98	0.638	0.72	0.459	1.06	203KRR2
15	60BB15H 1/2	60	3.98	0.510	0.72	0.459	1.06	203KRR5
17	60BB17H 5/8	60	4.46	0.638	0.72	0.459	1.10	203KRR2
12	80BB12H 3/4	80	4.33	0.750	0.61	0.575	1.50	204KRR2

Induction hardened teeth with a black oxide finish, double sealed and pre-lubricated precision ball bearing to ensure long and trouble free service.

## NATIONAL PRODUCTS LIMITED WARRANTY

**WARRANTY OFFERED BY:** This warranty (the “**Warranty**”) applies to all goods, materials, parts and products sold under the NATIONAL brand name or trademark (“**NATIONAL Products**”) by Wajax Industrial Components Limited Partnership or any of its affiliates or related entities (each a “**Wajax Entity**”); the specific Wajax Entity bound by this Warranty (“**Wajax**”) will be the Wajax Entity which is a party to the relevant contract or order with the customer (“**Customer**”) pursuant to which such NATIONAL Products are sold.

**DEFECTS WARRANTED - NATIONAL PRODUCTS:** Subject to the provisions set out in this Warranty document, Wajax warrants that NATIONAL Products are of good workmanship, free of defects in manufacture and material, and conform to Wajax’s specifications as expressly set out in the relevant contract or purchase order, subject to Wajax’s standard tolerances for specifications. If Wajax determines in its sole discretion that any NATIONAL Product (or part thereof) fails to conform with such warranty during the applicable warranty period, and that the terms and conditions of this Warranty have been fully satisfied, then Wajax (in its sole discretion) shall promptly repair or replace such NATIONAL Product (or part thereof) at Wajax’s expense and deliver the same FCA Wajax facilities, or refund the purchase price thereof. The obligations of Wajax under this Warranty shall be strictly limited to repair or replacement of any NATIONAL Product which in Wajax’s sole opinion is defective at the time of delivery of such NATIONAL Product to the Customer, or refund of the purchase price thereof. This Warranty shall apply only to NATIONAL Products sold by Wajax which have been paid for by the Customer. If Wajax elects to repair the NATIONAL Product subject to the warranty claim, the Customer shall be responsible for the removal and transportation thereof to Wajax’s designated facility, provided that if the Customer requests that the repair be done at the Customer’s site, then the Customer will be responsible for the removal thereof and Wajax will only cover the repair time spent on the site. All other expenses will be borne by the Customer. Any required repair shall be performed during Wajax’s normal business hours and if repair is required outside of normal business hours then overtime rates shall apply and the Customer shall pay Wajax’s cost differential for the same. This Warranty is subject to the limitations, warranty period, exclusions and other terms and conditions set out herein. Wajax shall warrant any repaired or replaced parts until the expiration of the original Warranty period.

**WARRANTY PERIOD:** This Warranty shall be restricted to defects in NATIONAL Products present at the time of delivery thereof to the Customer which become manifest during the period of twelve (12) months after the date of delivery of such NATIONAL Products to the Customer. Such period shall: (i) be as stated herein unless otherwise stated in the contract between Wajax and the Customer; and (ii) not be extended by the performance of any subsequent repairs or other remedial work.

**WARRANTY EXCLUSIONS:** This Warranty shall not cover, and Wajax shall not be liable under this Warranty for any damages, costs or expenses of the Customer or of any third party caused or contributed to in whole or in part by, or any defects caused by or related to:

- Any labour not performed by Wajax or defects or faults occurring or emanating as a result of the same.
- Any event or circumstance which arises through no fault of Wajax including, without limitation, disaster, force majeure, accidents, abuse, neglect, chemical, electro-chemical or electrical influences, any form of overload of any NATIONAL Product or any abnormal physical stress or environmental conditions.
- Any incorrect, improper or inadequate installation, assembly, use, storage, inspection, maintenance, handling, removal or transportation of any NATIONAL Product according to all recommendations and instructions of Wajax regarding the NATIONAL Product, and all standard industry practices.
- Any failure of the Customer to comply with all recommendations and instructions of Wajax regarding any NATIONAL Product including, without limitation, any failure of the Customer to service or maintain the NATIONAL Product or any part or component thereof in accordance with the recommended service/maintenance intervals and procedures specified by Wajax, or any use of fuels, oils, additives or any other consumable of a standard not compatible with any such recommended specifications.
- Any acts or omissions of the Customer including, without limitation, any specifications, instructions or designs specified or provided by or on behalf of the Customer.
- Normal wear and tear, or parts that, owing to their inherent material properties or their specified use, are subject to premature wear.
- Any materials or substances being processed by, or by the entry of materials or substances into, any NATIONAL Products including, without limitation debris, moisture, dust, grease or other contamination.

**WARRANTY INVALIDITY:** The Customer’s failure to observe and perform any of the following shall automatically invalidate this Warranty with respect to a NATIONAL Product:

- The Customer must comply with all requirements set out in this Warranty and any applicable contract or purchase order (and related terms and conditions) with respect to such NATIONAL Product.
- Such NATIONAL Product must be installed, assembled, handled, stored, used, operated, inspected, maintained, removed and transported in a proper and prudent manner in accordance with the recommendations and instructions of Wajax, standard industry practices, and all applicable laws.
- In the event of any incident or event giving rise to, or likely to give rise to, a claim under this Warranty, the Customer must take precautions to prevent further damage to such NATIONAL Product. Wajax shall not be liable for any further damage to such NATIONAL Product until it has been repaired to the satisfaction of Wajax.

This Warranty shall be void if the Customer:

- Has willfully concealed or misrepresented any material fact or circumstance concerning this Warranty or such NATIONAL Product (whether before or after a loss), or in case of any fraud or false statement by the Customer relating thereto.
- Transfers title of such NATIONAL Product to a third party, or lends, leases, rents or otherwise releases possession of same, in any manner whatsoever, or becomes bankrupt or placed in receivership such that such NATIONAL Product is seized or taken by a creditor or a third party claiming rights, title or ownership in such NATIONAL Product.
- Causes or permits any reconstruction, repair, alteration or modification of such NATIONAL Product to be made by any person not authorized by Wajax, or if any parts or components not supplied by Wajax are used in connection with any of the foregoing.

**NOTICE OF WARRANTY CLAIMS:** To be effective, a claim under this Warranty must be: (i) made in writing during the applicable warranty period; (ii) sent to Wajax at the Wajax branch where the NATIONAL Product was purchased; and (iii) received by Wajax within ten (10) days of the Customer’s discovery of the defect.

**ADDITIONAL LIMITATIONS:** No suit or action on this Warranty for the recovery of any claim may be sustained in any court of law or equity unless the Customer has complied with all the requirements of this Warranty and unless such suit or action is commenced within three (3) months from the date on which the Customer originally made such claim under this Warranty.

WAJAX’S TOTAL LIABILITY UNDER THIS WARRANTY WITH RESPECT TO ANY NATIONAL PRODUCT, WHETHER THROUGH REPAIR OR REPLACEMENT OF THE NATIONAL PRODUCT OR REFUND OF THE PURCHASE PRICE THEREOF, IS LIMITED TO THE AMOUNT OF THE PURCHASE PRICE ACTUALLY RECEIVED BY WAJAX FROM THE CUSTOMER FOR THE DEFECTIVE NATIONAL PRODUCT. Except for the repair, replacement or refund obligation as expressly provided herein, Wajax shall not be liable for any damages, losses, costs or expenses suffered by the Customer or any other third party of any nature or kind including, without limitation, any direct, indirect, consequential or incidental damages or loss of any kind for any reason, including down-time, loss of revenue or profits, loss of production, loss or diminution of value of property, loss of use of property or facilities, loss of economic opportunity or loss of life or injury by the Customer or any other party whether or not caused by the defective NATIONAL Product or the removal thereof. The remedies set out herein are the Customer’s sole remedies, and are Wajax’s only obligations (whether based on breach of contract, warranty, indemnity or statutory duty or in tort or otherwise), arising out of or in connection with defective or deficient NATIONAL Products.

The Warranty set out herein is the only warranty applicable to the NATIONAL Products. WAJAX EXPRESSLY DISCLAIMS, TO THE MAXIMUM EXTENT PERMITTED BY APPLICABLE LAWS, ANY AND ALL OTHER REPRESENTATIONS, WARRANTIES, COVENANTS, CONDITIONS, GUARANTEES OR SIMILAR OBLIGATIONS, WHETHER EXPRESS OR IMPLIED BY FACT, BY LAW (INCLUDING ANY STATUTE OR REGULATION), BY CUSTOM OR TRADE USAGE OR BY ANY COURSE OF DEALING, INCLUDING, WITHOUT LIMITATION, ANY IMPLIED WARRANTIES OF QUALITY, MERCHANTABILITY, FITNESS FOR PURPOSE AND FITNESS FOR A PARTICULAR PURPOSE, NON-INFRINGEMENT OR OTHERWISE, ALL OF WHICH ARE EXCLUDED AND ARE INAPPLICABLE.

**GOVERNING LAW:** This Warranty is governed by the laws of the Province of Ontario.

# NATIONAL

## BEARINGS+POWER TRANSMISSION PRODUCTS

The National Bearings and Power Transmission product line by Wajax, provides you access to a wide range of high quality components for your MRO and OEM requirements which are produced in ISO9001 and QS9001 certified facilities to our Wajax Engineering standards.

**Our wide range of products include;**

- » Ball bearings, tapered roller, spherical plain, ball bearing inserts and agricultural bearings
- » Mounted units, corrosion resistant, thermoplastic, stainless steel and waterproof
- » Roller chains, leaf chains and conveyor chains
- » Sprockets, sheaves, shaft collars, couplings and bushings
- » Custom manufacturing to meet your MRO / OEM needs

Available from our network of over 100 locations across Canada, our National brand serves a wide range of industries and applications – making your operations more productive. From Material Handling, Food and Beverage, Forestry, Agricultural, Mining, Aggregate to general processing and production – National has the products to meet your needs.



1-877-469-2529