

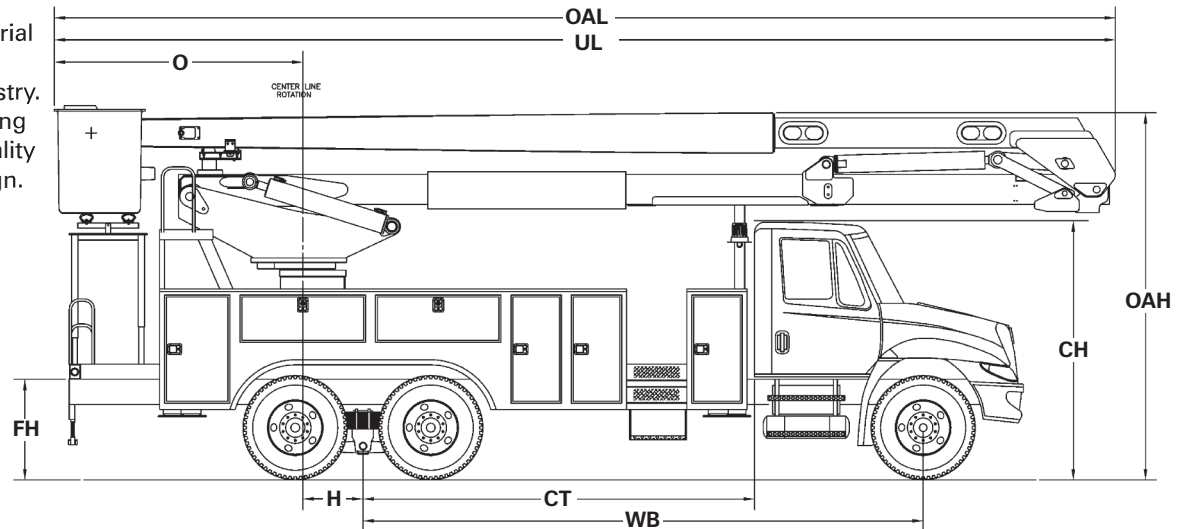


TEREX®

RMX 75 Hi-Ranger Non-Overcenter Material Handling Aerial Device

AERIAL DEVICES

Terex® Hi-Ranger Aerial Devices are known throughout the industry. They come with a long history featuring quality and innovative design.



Measurements	RMX75
	ORA
Typical Frame Height (FH)	44 in. (111.8 cm)
Typical Cab Height (CH)	112 in. (284.5 cm)
Offset (O)	98.0 in. (248.9 cm)
Overall Height (OAH)	12' 2" (3.7 m)
Overall Length (OAL)	37' 8" (11.5 m)
Unit Length (UL)	37' 8" (11.5 m)
Center of Rotation (H)	24" (61 cm)
Cab to Axle (CA)	156 in. (396.2 cm)
Wheel Base (WB)	223 in. (566.4 cm)
Front Axle (FA)	16,000 lb. (7,258 kg)
Rear Axle (RA)	34,000 lb. (15,422 kg)
Gross Vehicle Weight Rating	50,000 lb. (22,680 kg)
Recommended Weight for Stability	36,000 lb. (16,329 kg)
Frame Section Modulus	18.0 in ³
Frame Yield Strength	50,000 psi
Frame RBM	900,000 in-lbs



TEREX®

500 Oakwood Drive
PO BOX 1150
Watertown, SD 57201-6150
USA

Phone: (605) 882-4000
Facsimile: (605) 882-1842
www.terexutilities.com
E-mail: utilities.info@terex.com

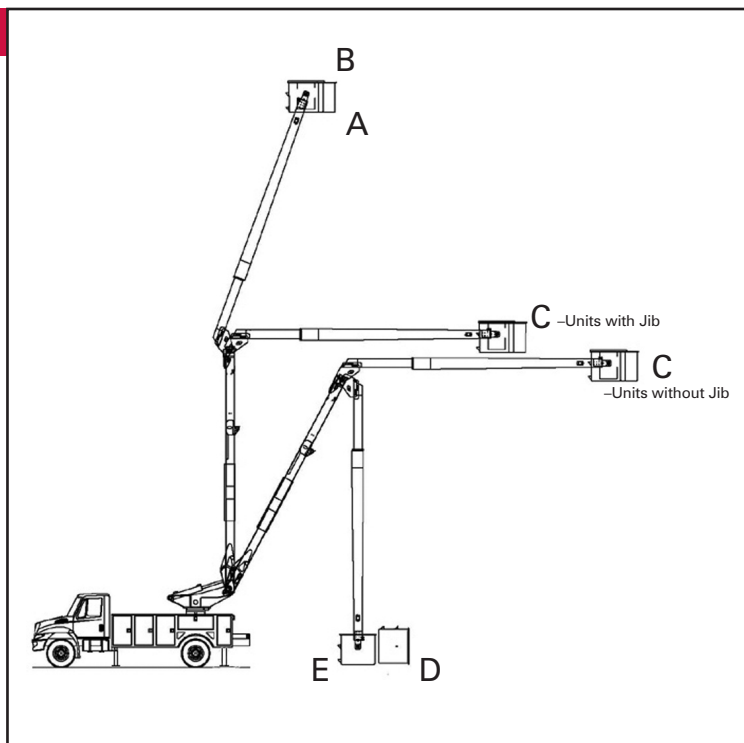
Distributed By:

RMX 75

Hi-Ranger Non-Overcenter, Material Handling Aerial Device

STANDARD EQUIPMENT

- Side Mount 24" x 48" x 42" Two-Person Platform
- Platform Capacity up to 800 lb (362 kg)
- Control-Plus "3-D" Single Stick Control at Platform
- Safety Harness with Attached Lanyard
- Continuous Unrestricted Worm Gear Rotation
- Category "C" Rating Per ANSI A92.2
- Rectangular, Bi-Axial Epoxy Resin, Filament Wound Fiberglass Booms
- Individual Lever Lower Controls
- Power Assist Control System with Automatic Throttle
- Hydraulic Platform Tilt at Upper and Lower Controls
- Hydraulic Platform Leveling System
- Hydraulic Platform Rotators
- Engine Stop/Start
- 75° of Elevation Above Horizontal
- Up to 120° of Lower Boom Articulation
- Pilot-Operated, Closed-Center Hydraulic System
- 35 Gallon Hydraulic Oil Reservoir
- Padded Boom Rests with Upper Boom Tie Down
- Outrigger Interlock
- Moving Outrigger Alarm
- Truck Level Indicator



CAPACITIES & DIMENSIONAL DATA (Based on a 40 Inch Frame Height)

Model	A	B	C - Material Handling	C - Personnel	D	E
	Bottom of Platform	Working Height	Non-Overcenter Side Reach	Non-Overcenter Side Reach	Platform Rotated, Lip To Ground	Bottom of Platform Above Ground
RMX75	74.7 ft. (22.8 m)	79.7 ft. (24.3 m)	43.4 ft. (13.2 m)	58.8 ft. (17.9 m)	7.0 in. (17.8 cm)	7.0 in. (17.8 cm)

OPTIONAL EQUIPMENT

- 24" x 48" End Mount Platforms
 - 165° of Upper Boom Articulation for Material Handlers
 - 195° of Upper Boom Articulation for Personnel Units
- Various Platform Covers
- Liners With or Without Steps
- 24" Platform Lifter
- Jib Options (Side Mount Only)
 - Various Jib Extension Systems
 - Hydraulic, Articulating Jib/Winch, Side Mt. 2000 lbs.
- Single Wire / 46 Kv Insulated
- Single Wire / 15 Kv Insulated
- Single Line Lifter / Multi-Phase Attachments
- Category "A" or "B" Rating Per ANSI A92.2
- Lower Boom Lifting Eye
- Automatic Upper Boom Latch
- Hydraulic Lifts: 13 ft, 15 ft, and *25 ft.
 - Lift Tie Down
- Hydraulic Tool Outlets
- Various Hydraulic Pumps
- Auxiliary Power
- Auxiliary Let Down System
- Boom Overstow Protection
- Boom Stow Interlock
- Boom Storage Warning Light
- Outrigger Sag Light
- Various Types of Outriggers
- Truck Grounding Cable & Clamp
- Hybrid Enable
- HyPower™ Hybrid System by Terex®

Effective Date: October 2014. Product specifications and prices are subject to change without notice or obligation. The photographs and/or drawings in this document are for illustrative purposes only. Refer to the appropriate Operator's Manual for instructions on the proper use of this equipment. Failure to follow the appropriate Operator's Manual when using our equipment or to otherwise act irresponsibly may result in serious injury or death. The only warranty applicable to our equipment is the standard written warranty applicable to the particular product and sale and Terex makes no other warranty, express or implied. Products and services listed may be trademarks, service marks or trade-names of Terex Corporation and/or its subsidiaries in the USA and other countries. All rights are reserved. Terex® is a registered trademark of Terex Corporation in the USA and many other countries. Copyright 2014 Terex Corporation.